

This document contains proprietary information and such information may not be disclosed to others for any purposes, not used for sales/marketing/procurement purposes without written permission

REV	DESCRIPTION OF REVISION	ECN NO.	BY	DATE	APPROVED
A	Initial Release	—	T. Haiyun	17/03/15	17/03/15

1 Electrical

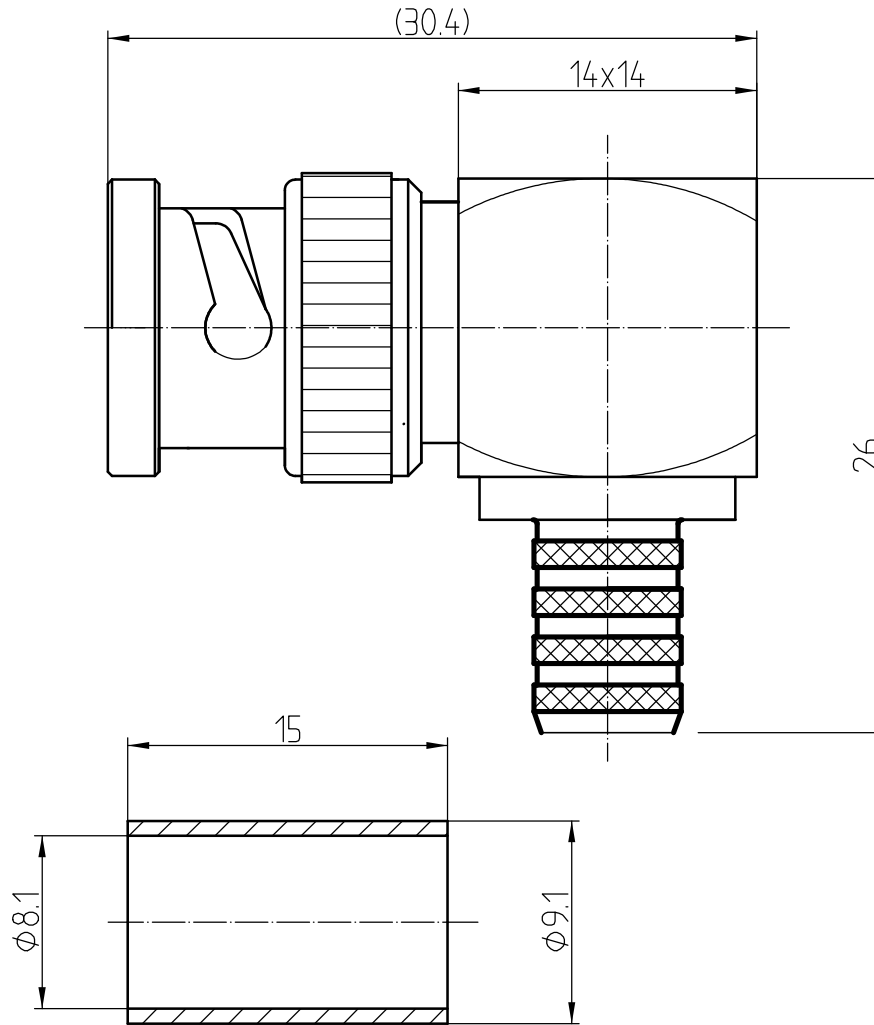
- 1.1 Frequency: 0-4GHz
- 1.2 Impedance: 50 Ω
- 1.3 Working voltage: ≤500V
- 1.4 Insulation resistance: ≥5000MΩ
- 1.5 Dielectric withstanding voltage: 1500V
- 1.6 Center contact resistance ≤ 1.5MΩ
- 1.7 Outer contact resistance ≤ 1MΩ

2 Environmental&Mechanical

- 2.1 Temperature range -40℃ ~+70℃
- 2.2 RoHs Compliant
- 2.3 Durability >500 cycles



3 Material&Finish

- 3.1 Inner Contact: brass, gold plated
- 3.2 Outer Contact: Brass, nickel plated
- 3.3 Insulators: Teflon



Notes:

- 1. ALL SPECIFICATIONS ARE SUBJECT TO CHANGE NOTICE AT ANY TIME
- 2. CUSTOMER OUTLINE DRAWING FOR REFERENCE ONLY

DRAWN: T. Haiyun 17/03/15	TITLE: RF Coaxial Connector BNC male Right Angle Conn. for 5D-FB Cable Crimp	 <a href="http://www.teruilai.com">www.teruilai.com</a>  DIMENSION IN MILLIMETERS (mm)			
ENGINEER: C. Tao 17/03/15					
APPROVED: W. Qiang 17/03/15		PART NO: BNC-JW5D-FBY	SIZE: A4	SCALE: N/A	SHEET: 1/1

TOLERANCES UNLESS OTHERWISE SPECIFIED	
X	±0.50
.X	±0.20
.XX	±0.10
ANGLES	±1°