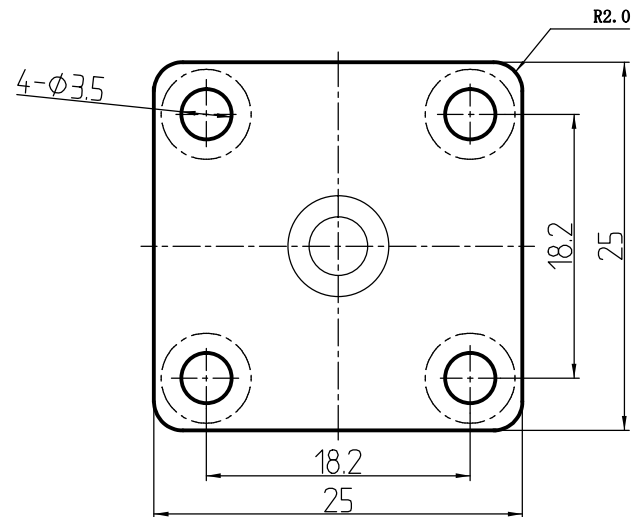
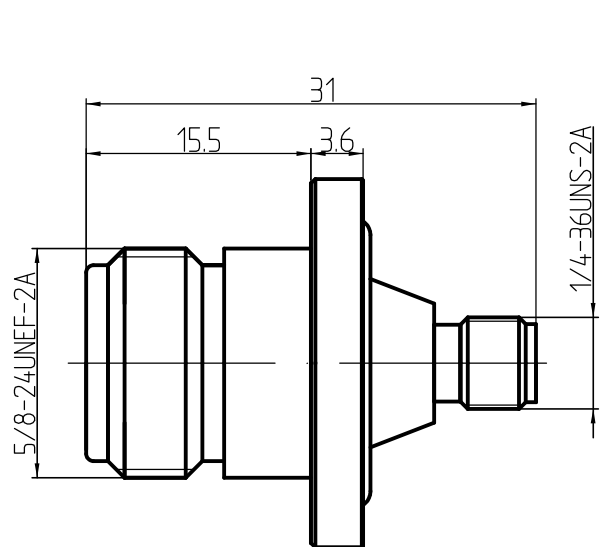
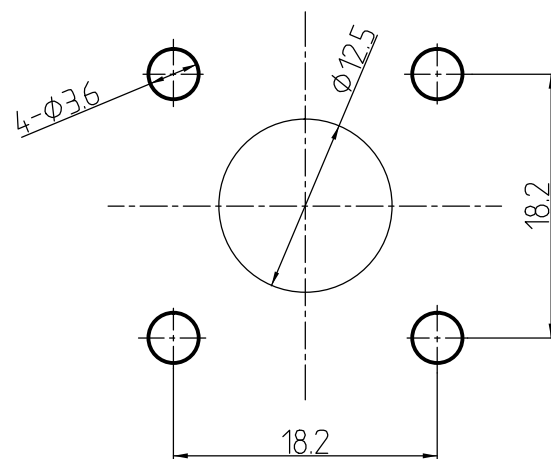


This document contains proprietary information and such information may not be disclosed to others for any purposes, not used for sales/marketing/procurement purposes without written permission

REV	DESCRIPTION OF REVISION	ECN NO.	BY	DATE	APPROVED
A	Initial Release	—	T. Shihua	18/7/13	18/7/13



Mounting Hole



1 Electrical

- 1.1 Impedance: 50 Ω
- 1.2 Frequency: 0~11GHz
- 1.3 Dielectric withstanding voltage: 1000V(volts RMS)
- 1.4 Center contact resistance: ≤ 3MΩ
- 1.5 Outer contact resistance: ≤ 2MΩ
- 1.6 Insulation resistance: ≥5000MΩ

2 Environmental&Mechanical



- 2.1 Temperature range: -55℃~85℃
- 2.2 RoHs Compliant
- 2.3 Durability: >500 cycles

3 Materials&plating

- 3.1 Body: Brass, nickel plated
- 3.2 Insulator: Teflon
- 3.3 Contact Pin: Phosphor Bronze, Gold plated
- 3.4 Gasket: Silicon Rubber

Notes:

- 1. ALL SPECIFICATIONS ARE SUBJECT TO CHANGE NOTICE AT ANY TIME
- 2. CUSTOMER OUTLINE DRAWING FOR REFERENCE ONLY

DRAWN: T. Shihua 18/07/13	TITLE:	 [®] www.trl-rf.com
ENGINEER: C. Tao 18/07/13	RF Adaptor	
APPROVED: W. Qiang 18/07/13	N female to SMA female Flange	 DIMENSION IN MILLIMETERS (mm)
TOLERANCES UNLESS OTHERWISE SPECIFIED X ±0.50 .X ±0.20 .XX ±0.10 ANGLES ±1°	PART NO: N/SMA-KFK1A	