

This document contains proprietary information and such information may not be disclosed to others for any purposes, not used for sales/marketing/procurement purposes without written permission

1 Electrical

- 1.1 Impedance: $50\ \Omega$
- 1.2 Frequency: DC-26.5GHz
- 1.3 VSWR: 1.25:1

2 Mechanical&Environmental

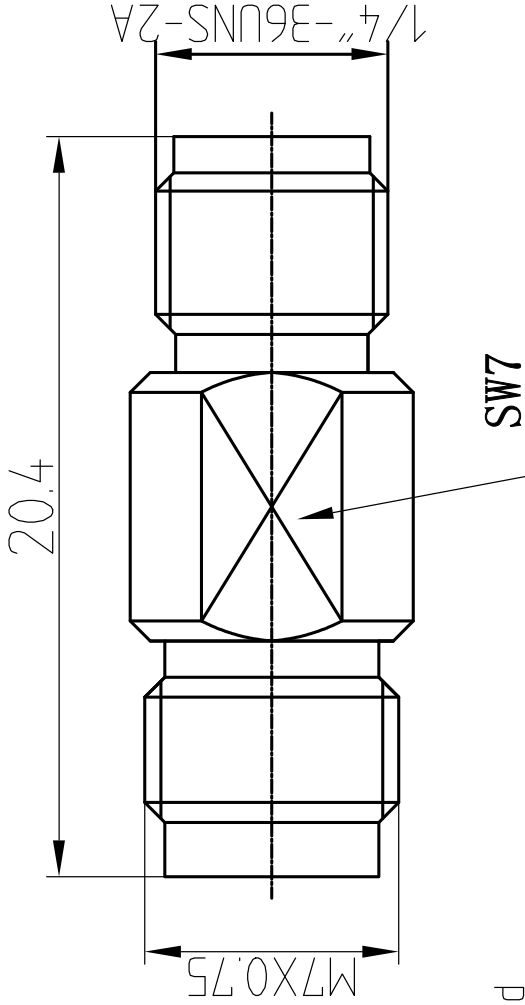
- 2.1 Temperature range $-45^{\circ}\text{C} \sim +85^{\circ}\text{C}$
- 2.2 Durability(matings) >500
- 2.3 RoHS Compliant Yes

3 Material&Finish

- 3.1 Pin contact: Beryllium-Copper, gold plated
- 3.2 Body: Stainless Steel, Passivated
- 3.3 Insulators: PEI

4 Interface Standards

- 4.1 2.4 IEEE STD 287-2007
- 4.2 3.5 IEC60169



REV	DESCRIPTION OF REVISION	ECN NO.	BY	DATE	APPROVED
A	Initial Release		T. Shihua	1/8/14	1/8/14

Notes:

- 1. ALL SPECIFICATIONS ARE SUBJECT TO CHANGE NOTICE AT ANY TIME
- 2. CUSTOMER OUTLINE DRAWING FOR REFERENCE ONLY

DRAWN : T. Shihua 1/8/14

ENGINEER: C. Tao 1/8/14

APPROVED : W. Qiang 1/8/14

TOLERANCES UNLESS OTHERWISE SPECIFIED
 X ± 0.50
 .X ± 0.20
 .XX ± 0.10
 ANGLES $\neq 90^{\circ}$

TITLE:

Precision Adapter
 2.4 Female to 3.5 Female

PART NO: 2.4/3.5-KUG



www.bendai.com



DIMENSION IN MILLIMETERS (mm)

SIZE: A4

SCALE: N/A

SHEET: 1/1

REV: A