

This document contains proprietary information and such information may not be disclosed to others for any purposes,
not used for sales/marketing/procurement purposes without written permission

REV	DESCRIPTION OF REVISION	ECN NO.	BY	DATE	APPROVED
A	Initial Release	—	T. Shihua	09/07/15	09/07/15

1 Electrical

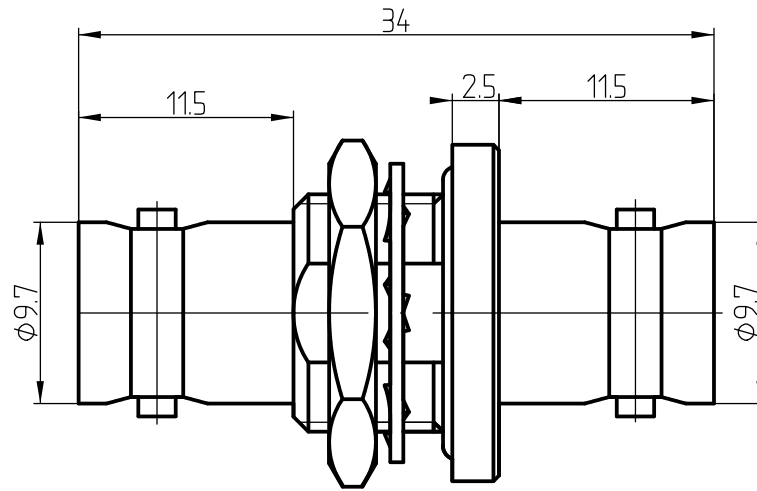
- 1.1 Impedence 50 Ω
- 1.2 Frequency DC-4GHz
- 1.3 Dielectric withstanding voltage 1000V(volts RMS)
- 1.4 Center contact resistance $\leq 3M\Omega$
- 1.5 Outer contact resistance $\leq 2M\Omega$
- 1.6 Insulation resistance: $\geq 5000M\Omega$

2 Environmental&Mechanical

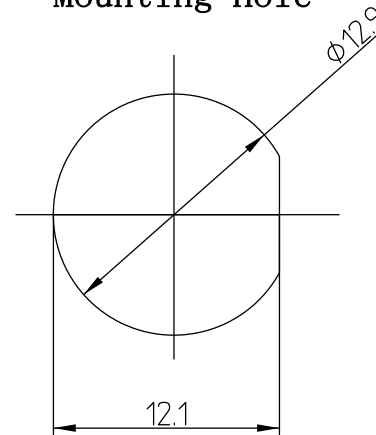
- 2.1 Temperature range $-45^{\circ}\text{C} \sim 85^{\circ}\text{C}$
- 2.2 RoHs Compliant
- 2.3 Durability >500 cycles

3 Materials&plating

- 3.1 Body: Brass, Nickel plated
- 3.2 Insulator: Teflon
- 3.3 Contact Pin: Phosphor Bronze, Gold plated
- 3.4 Coupling Nut: Brass, nickel plated
- 3.5 Washer: bronze, nickel plated
- 3.6 Gasket: Silicon rubber(red color)




Mounting Hole



Notes:

- 1. ALL SPECIFICATIONS ARE SUBJECT TO CHANGE NOTICE AT ANY TIME
- 2. CUSTOMER OUTLINE DRAWING FOR REFERENCE ONLY

DRAWN : T. Shihua 09/07/15 ENGINEER: C. Tao 09/07/15 APPROVED : W. Qiang 09/07/15	TITLE: RF Adaptor BNC Female to Female Bulkhead	 www.trl-rf.com
TOLERANCES UNLESS OTHERWISE SPECIFIED X ± 0.50 .X ± 0.20 .XX ± 0.10 ANGLES $\pm 1^{\circ}$	PART NO: BNC-KVK	DIMENSION IN MILLIMETERS (mm)
SIZE: A4	SCALE: N/A	SHEET: 1/1
REV: A		