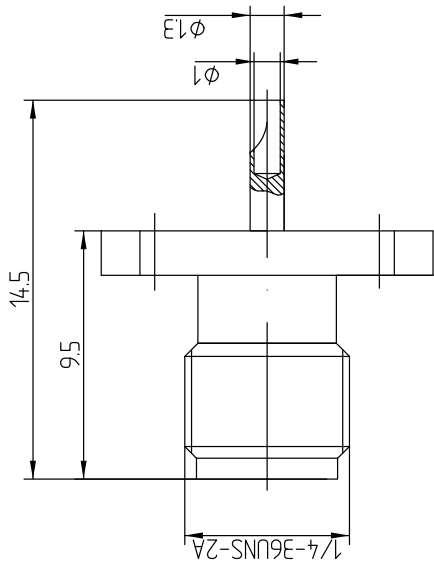


This document contains proprietary information and such information may not be disclosed to others for any purposes, not used for sales/marketing/procurement purposes without written permission

REV	DESCRIPTION OF REVISION	ECN NO.	BY	DATE	APPROVED
A	Initial Release		T. Haiyuu	15/09/17	15/09/17



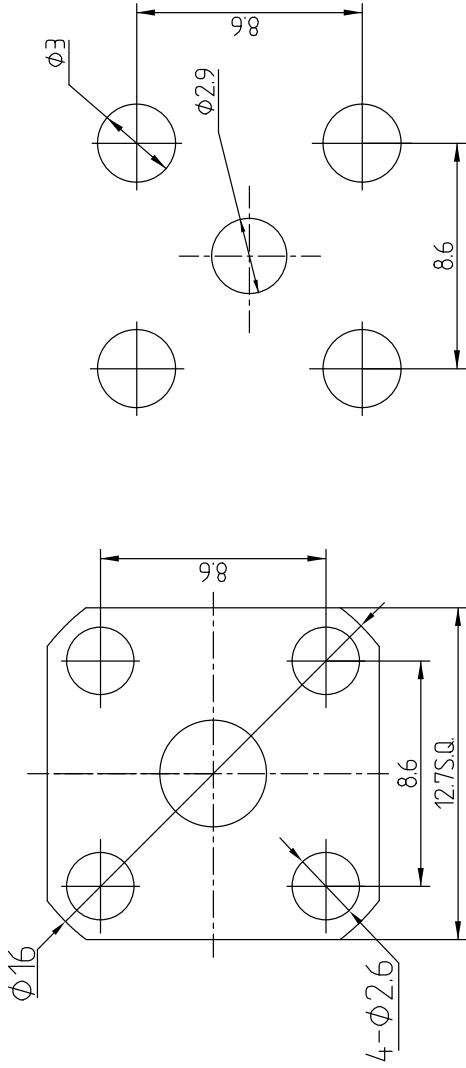
- 1 Electrical
  - 1.1 Impedance 50 Ω
  - 1.2 Frequency DC ~6GHz
  - 1.2 Dielectric withstanding voltage 1000V (volts RMS)
  - 1.3 Center contact resistance ≤ 3MΩ
  - 1.4 Outer contact resistance ≤ 2MΩ
  - 1.5 Insulation resistance: ≥ 5000MΩ
  - 1.6 VSWR 1.2max

- 2 Environmental & Mechanical
  - 2.1 Temperature range -45°C ~ 85°C
  - 2.2 RoHS Compliant
  - 2.3 Durability > 500 cycles

- 3 Materials & Plating
  - 3.1 Body: Brass, Gold plated
  - 3.2 Insulator: Teflon
  - 3.3 Contact Pin: Bronze • Gold plated

Notes:  
 1. ALL SPECIFICATIONS ARE SUBJECT TO CHANGE NOTICE AT ANY TIME  
 2. CUSTOMER OUTLINE DRAWING FOR REFERENCE ONLY

### Mounting Hole



DRAWN : T. Haiyuu 15/09/17

ENGINEER : C. Tao 15/09/17

APPROVED : W. Qi Tang 15/09/17

TOLERANCES UNLESS OTHERWISE SPECIFIED  
 X ±0.50  
 .X ±0.20  
 .XX ±0.10  
 ANGLES °

TITLE:

RF Coaxial Connector

SMA Female Flange Conn. Terminal

PART NO: SMA-RFP65A



www.qpl.com



DIMENSION IN MILLIMETERS (mm)

SIZE: A4

SCALE: N/A

SHEET: 1/1

REV: A