

This document contains proprietary information and such information may not be disclosed to others for any purposes, not used for sales/marketing/procurement purposes without written permission

REV	DESCRIPTION OF REVISION	ECN NO.	BY	DATE	APPROVED
A	Initial Release	—	T. Shihua	14/08/14	14/08/14

1 Electrical data

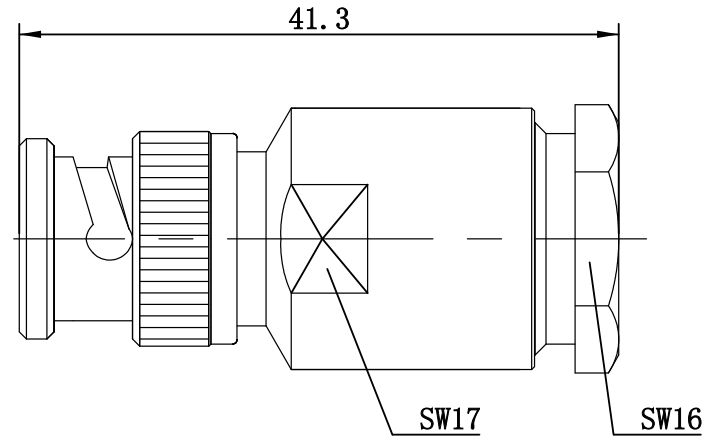
- 1.1 Impedance: 50 Ω
- 1.2 Frequency: 0-4GHz

2 Mechanical data&Environmental Data

- 2.1 Temperature range -45°C ~+125°C
- 2.2 Durability(matings) >500
- 2.3 RoHs Compliant


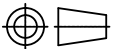
3 Material&Finish

- 3.1 Pin contact: Brass, gold plated
- 3.2 Body: Brass,nickel plated
- 3.3 Insulators: PTFE
- 3.4 Gasket: silicon rubber
- 3.5 Nut: Brass, Nickel plated



Notes:

- 1. ALL SPECIFICATIONS ARE SUBJECT TO CHANGE NOTICE AT ANY TIME
- 2. CUSTOMER OUTLINE DRAWING FOR REFERENCE ONLY

DRAWN : T. Shihua 14/08/14 ENGINEER: C. Tao 14/08/14 APPROVED : W. Qiang 14/08/14	TITLE: RF Coaxial Connector BNC Male Straight Connector For LMR400 Cable Clamp	 <a href="http://www.trl-rf.com">www.trl-rf.com</a>  DIMENSION IN MILLIMETERS (mm)
TOLERANCES UNLESS OTHERWISE SPECIFIED X ±0.50 .X ±0.20 .XX ±0.10 ANGLES ±1°	PART NO: BNC-J400A	SIZE: A4 SCALE: 1:1 SHEET: 1/1 REV: A