

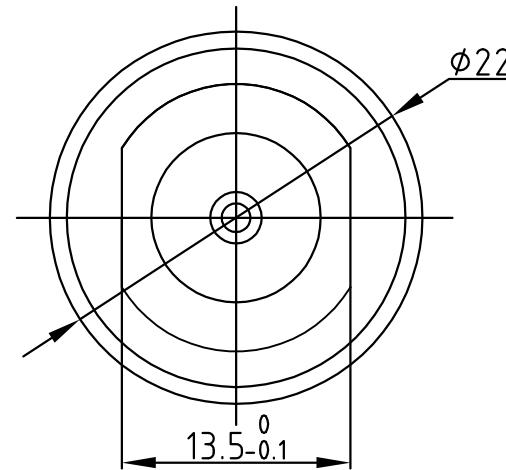
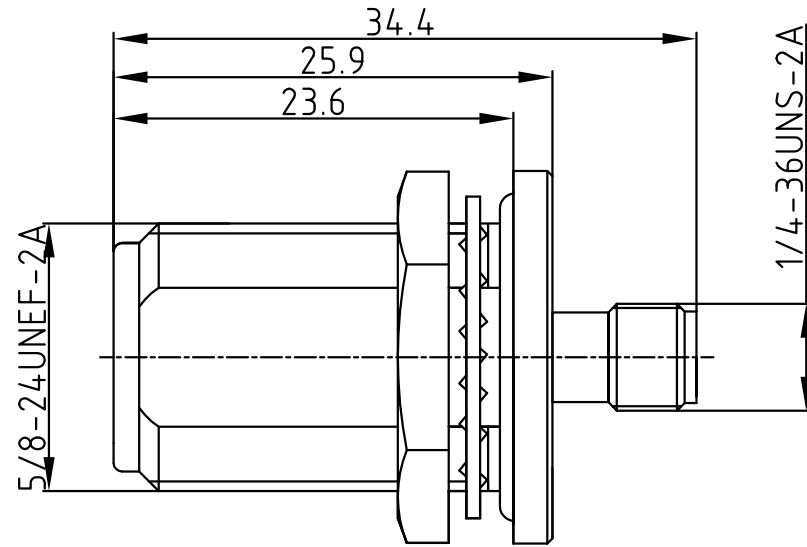
This document contains proprietary information and such information may not be disclosed to others for any purposes, not used for sales/marketing/procurement purposes without written permission

REV	DESCRIPTION OF REVISION	ECN NO.	BY	DATE	APPROVED
A	Initial Release	—	T.Shihua	18/7/13	18/7/13

- 1 Electrical**
- 1.1 Impedance 50Ω
  - 1.2 Frequency 0~11GHz
  - 1.3 Dielectric withstanding voltage 1000V(volts RMS)
  - 1.4 Center contact resistance ≤ 3MΩ
  - 1.5 Outer contact resistance ≤ 2MΩ
  - 1.6 Insulation resistance: ≥5000MΩ

- 2 Environmental&Mechanical**
- 2.1 Temperature range -45℃~85℃
  - 2.2 RoHs Compliant
  - 2.3 Durability >500 cycles

- 3 Materials&plating**
- 3.1 Body: Brass, nickel plated
  - 3.2 Insulator: Teflon
  - 3.3 Contact Pin: Bronze, Gold plated
  - 3.4 Nut: Brass, nickel plated
  - 3.5 Gasket: Silicon Rubber



**Notes:**

- 1.ALL SPECIFICATIONS ARE SUBJECT TO CHANGE NOTICE AT ANY TIME
- 2.CUSTOMER OUTLINE DRAWING FOR REFERENCE ONLY

DRAWN: T.Shihua 18/07/13 ENGINEER: C.Tao 18/07/13 APPROVED: W.Qiang 18/07/13 TOLERANCES UNLESS OTHERWISE SPECIFIED .X ±0.50 .X ±0.20 .XX ±0.10 ANGLES ±1°	TITLE: N/SMA-KYKA N female to SMA female B/H adaptor PART NO: TRL-ZJQ-021038	Xi'an Reach-Line Technology Co.,Ltd.  DIMENSION IN MILLIMETERS (mm) SIZE: A4    SCALE: N/A    SHEET: 1/1    REV: A
--	--	---