

1

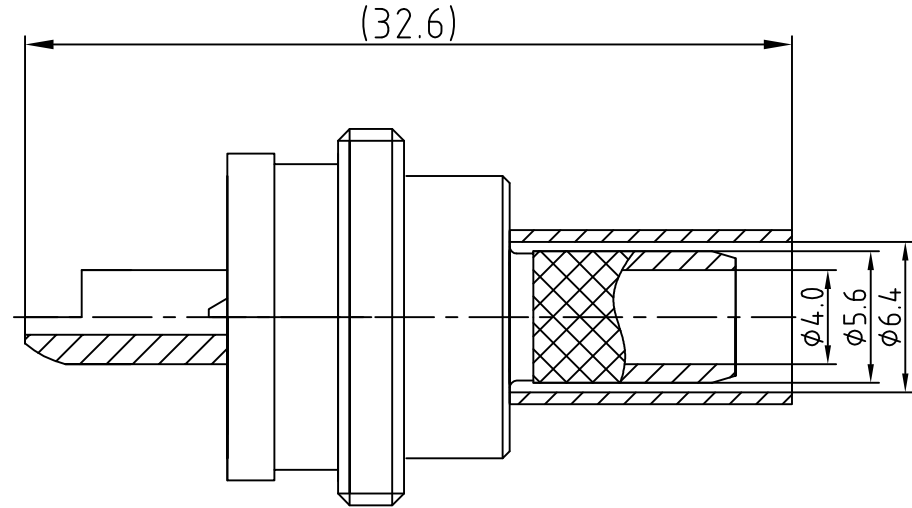
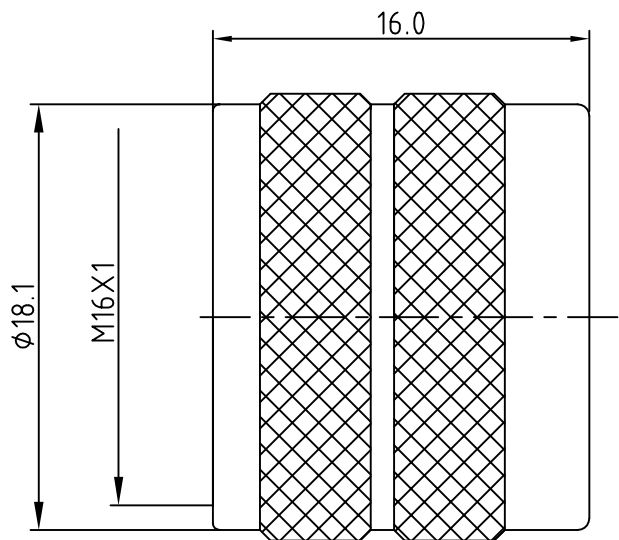
2

3

4

This document contains proprietary information and such information may not be disclosed to others for any purposes, not used for sales/marketing/procurement purposes without written permission

REV	DESCRIPTION OF REVISION	ECN NO.	BY	DATE	APPROVED
A	Initial Release	—	T.Shihua	13/05/15	13/05/15


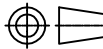


Materials&Finish

- 1 Body: Brass, Silver plated
- 2 Insulator: Teflon
- 3 Contact Pin: Brass, Gold plated
- 4 Ferrule: Copper, silver plated

Notes:

- 1.ALL SPECIFICATIONS ARE SUBJECT TO CHANGE NOTICE AT ANY TIME
- 2.CUSTOMER OUTLINE DRAWING FOR REFERENCE ONLY

DRAWN: T.Shihua 13/05/15	TITLE:	 www.t-rely.com.cn
ENGINEER: C.Tao 13/05/15	UHF-J240Y	
APPROVED: W.Qiang 13/05/15	UHF male Conn.For LMR240 Cable	
TOLERANCES UNLESS OTHERWISE SPECIFIED		 DIMENSION IN MILLIMETERS (mm)
X ±0.50 .X ±0.20 .XX ±0.10 ANGLES ±1°		
PART NO: TRL-UHF-289056		SIZE: A4
		SCALE: N/A
		SHEET: 1/1
		REV: A