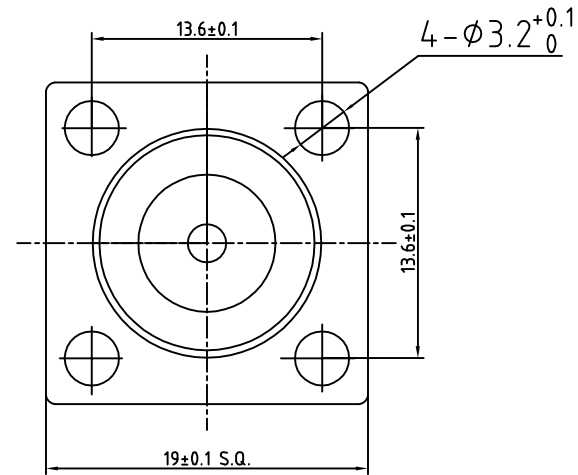
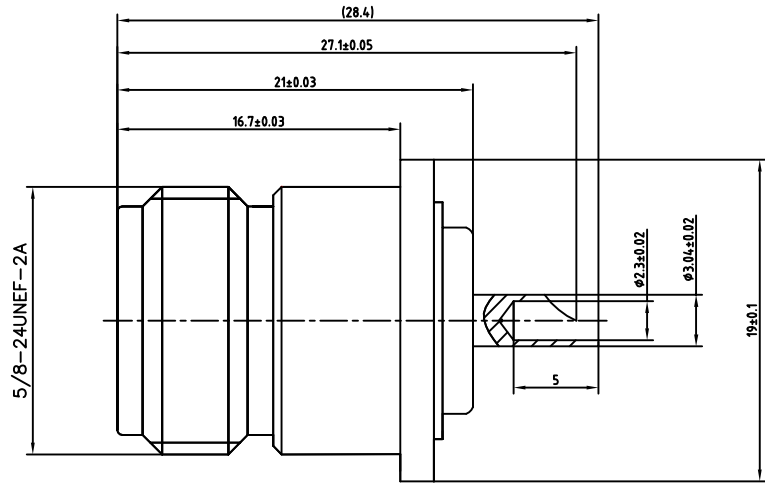



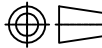
This document contains proprietary information and such information may not be disclosed to others for any purposes, not used for sales/marketing/procurement purposes without written permission

REV	DESCRIPTION OF REVISION	ECN NO.	BY	DATE	APPROVED
A	Initial Release	—	T.Shihua	27/10/15	27/10/15



Notes:

- 1.ALL SPECIFICATIONS ARE SUBJECT TO CHANGE NOTICE AT ANY TIME
- 2.CUSTOMER OUTLINE DRAWING FOR REFERENCE ONLY

DRAWN: T.Shihua 27/10/15	TITLE: N-KFD112	 www.terullal.com			
ENGINEER: C.Tao 27/10/15	N Female Conn. 4 holes Flange 19mm S. Q.				
APPROVED: W.Qiang 27/10/15		 DIMENSION IN MILLIMETERS (mm)			
TOLERANCES UNLESS OTHERWISE SPECIFIED	PART NO: TRL-NF-531898	SIZE: A4	SCALE: N/M	SHEET: 1/1	REV: A
X ±0.50 .X ±0.20 .XX ±0.10 ANGLES ±1°					