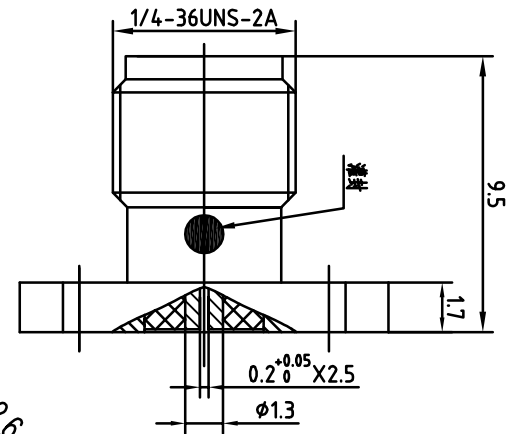


This document contains proprietary information and such information may not be disclosed to others for any purposes, not used for sales/marketing/procurement purposes without written permission

REV	DESCRIPTION OF REVISION	ECN NO.	BY	DATE	APPROVED
A	Initial Release		T.HoJyun	17/06/16	17/06/16

**1 Electrical**

- 1.1 Impedence: 50 Ω
- 1.2 Frequency: DC~18GHz
- 1.3 Dielectric withstanding voltage: 1000V(volts RMS)
- 1.4 Center contact resistance: ≤ 3MΩ
- 1.5 Outer contact resistance: ≤ 2MΩ
- 1.6 Insulation resistance: ≥5000MΩ

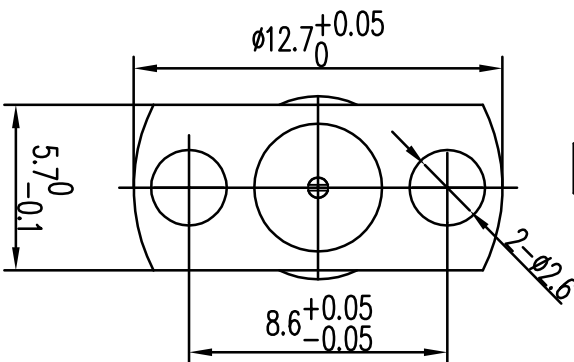


**2 Environmental&Mechanical**

- 2.1 Temperature range: -40℃~+70℃
- 2.2 RoHS Compliant
- 2.3 Durability: >500 cycles

**3 Materials&plating**

- 3.1 Body: Brass; gold-plated
- 3.2 Insulator: Teflon
- 3.3 Contact Pin: Beryllium-copper, gold plated





Notes:

- 1. ALL SPECIFICATIONS ARE SUBJECT TO CHANGE NOTICE AT ANY TIME
- 2. CUSTOMER OUTLINE DRAWING FOR REFERENCE ONLY

DRAWN:	T.HoJyun 17/06/16
ENGINEER:	C.Too 17/06/16
APPROVED:	W.Qiang 17/06/16
TOLERANCES UNLESS OTHERWISE SPECIFIED	
X	±0.30
XX	±0.20
XXX	±0.10
ANGLES	5°

TITLE:	SMA-KFD1006
	SMA Female Flange Conn. for Terminal
PART NO:	TRL-SMAF-468939


  
 www.terribal.com


 DIMENSION IN MILLIMETERS (mm)

SIZE: A4    SCALE: N/A    SHEET: 1/1    REV: A