

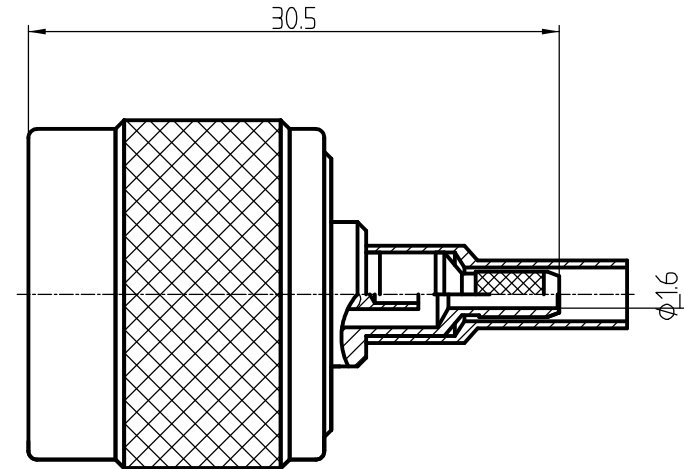
This document contains proprietary information and such information may not be disclosed to others for any purposes, not used for sales/marketing/procurement purposes without written permission

REV	DESCRIPTION OF REVISION	ECN NO.	BY	DATE	APPROVED
A	Initial Release	—	T. Shihua	18/7/07	18/7/07

<u>1 Electrical</u>	
1.1 Impedence	50 Ω
1.2 Frequency	DC-3GHz
1.3 Dielectric withstanding voltage	1500V(volts RMS)
1.4 Center contact resistance	≤ 1M Ω
1.5 Outer contact resistance	≤ 0.2M Ω
1.6 Insulation resistance:	≥ 5000M Ω


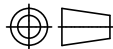
<u>2 Environmental&Mechanical</u>	
2.1 Temperature range	-45℃~125℃
2.2 RoHs Compliant	
2.3 Durability	>500 cycles

<u>3 Materials&plating</u>	
3.1 Body:	Brass, nickel plated
3.2 Insulator:	Teflon
3.3 Contact Pin:	Brass, Gold plated
3.4 Coupling Nut:	Brass, nickel plated
3.5 Gasket:	Silicon rubber (red color)
3.6 Spring:	Phosphor bronze, nickel plated



Notes:

- ALL SPECIFICATIONS ARE SUBJECT TO CHANGE NOTICE AT ANY TIME
- CUSTOMER OUTLINE DRAWING FOR REFERENCE ONLY

DRAWN: T. Shihua 18/07/07 ENGINEER: C. Tao 18/07/07 APPROVED: W. Qiang 18/07/07 TOLERANCES UNLESS OTHERWISE SPECIFIED X ±0.50 .X ±0.20 .XX ±0.10 ANGLES ±1°	TITLE: RF Coaxial Connector N Male Conn. For RG316 Cable Sky Window PART NO: N-J9CY	 www.teruilai.com  DIMENSION IN MILLIMETERS (mm) SIZE: A4 SCALE: N/A SHEET: 1/1 REV: A
--	--	--