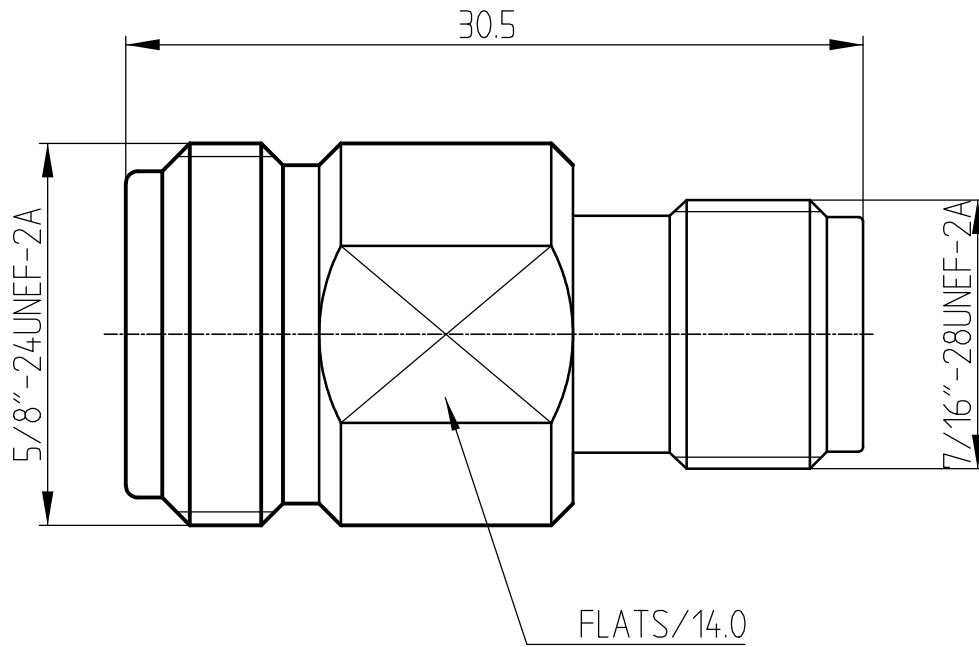


This document contains proprietary information and such information may not be disclosed to others for any purposes, not used for sales/marketing/procurement purposes without written permission

REV	DESCRIPTION OF REVISION	ECN NO.	BY	DATE	APPROVED
A	Initial Release	—	T. Shihua	1/8/14	1/8/14



1 Electrical

- 1.1 Impedance: 50 Ω
- 1.2 Frequency: DC - 18GHz
- 1.3 VSWR: 1.25:1

2 Mechanical & Environmental

- 2.1 Temperature range: -45°C ~ +125°C
- 2.2 Durability (matings): >500
- 2.3 RoHS Compliant: Yes

3 Material & Finish



- 3.1 Pin contact: Beryllium-Copper, gold plated
- 3.2 Body: Stainless Steel (SU303), Passivated
- 3.3 Insulators: PEI

4 Interface Standards

- 4.1 TNC: MIL-STD-348A
- 4.2 N: MIL-STD-348A

Notes:

- 1. ALL SPECIFICATIONS ARE SUBJECT TO CHANGE NOTICE AT ANY TIME
- 2. CUSTOMER OUTLINE DRAWING FOR REFERENCE ONLY

DRAWN: T. Shihua 1/8/14	TITLE: Precision Adapter N Female to TNC Female	 www.teruilai.com			
ENGINEER: C. Tao 1/8/14					
APPROVED: W. Qiang 1/8/14		 DIMENSION IN MILLIMETERS (mm)			
TOLERANCES UNLESS OTHERWISE SPECIFIED X ±0.50 X ±0.20 XX ±0.10 ANGLES ±1°	PART NO: N/TNC-KKG	SIZE: A4	SCALE: N/A	SHEET: 1/1	REV: A