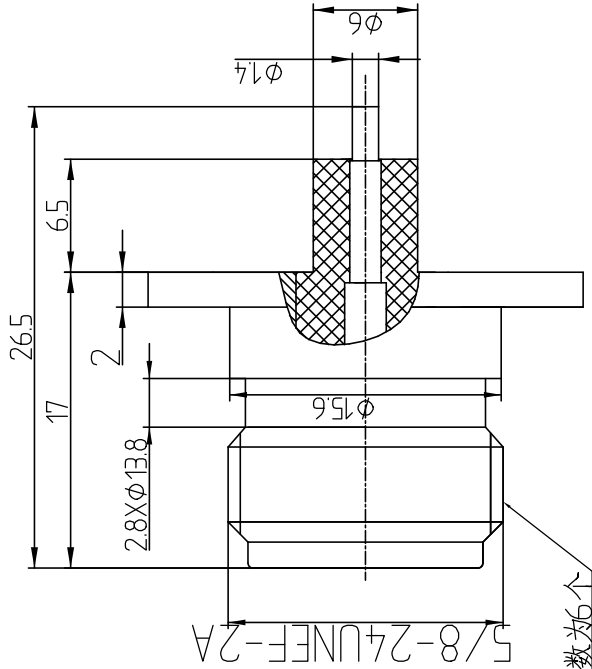
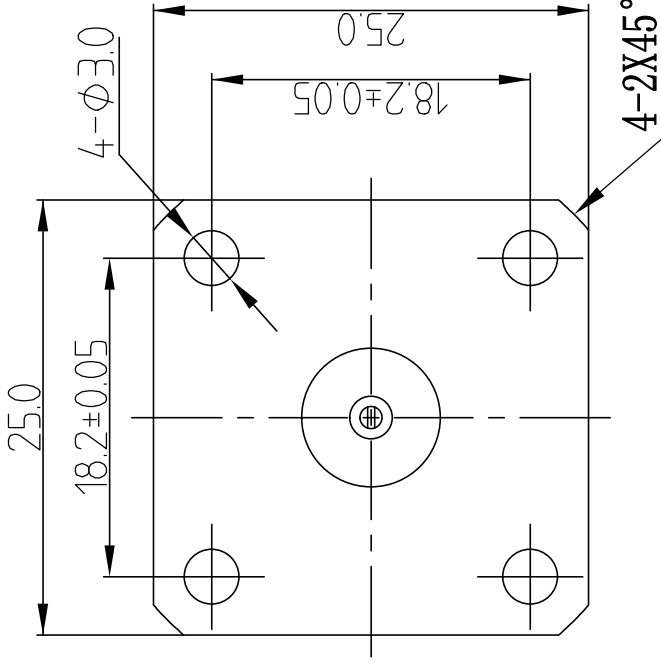


This document contains proprietary information and such information may not be disclosed to others for any purposes, not used for sales/marketing/procurement purposes without written permission



注：牙数为6个

### 1 Electrical

- 1.1 Impedance: 50  $\Omega$
- 1.2 Frequency: 0-6GHz
- 1.3 Insulation resistance:  $\geq 50000M\Omega$
- 1.4 Dielectric strength: 1500V
- 1.5 Center Contact resistance  $\leq 1M\Omega$
- 1.6 Outer contact resistance  $\leq 0.2M\Omega$
- 1.7 VSWR: 1.2 max

### 2 Materials&Finish

- 2.1 Inner Contact: Phosphor bronze, gold plated
- 2.2 Outer Contact: Brass, Suco-plated
- 2.3 Insulators: PTFE

### Notes:

- 1. ALL SPECIFICATIONS ARE SUBJECT TO CHANGE NOTICE AT ANY TIME
- 2. CUSTOMER OUTLINE DRAWING FOR REFERENCE ONLY

DRAWN: T. Shibus 25/05/16

ENGINEER: C. Taw 25/05/16

APPROVED: H. Qing 25/05/16

TOLEANCES UNLESS OTHERWISE SPECIFIED

X  $\pm 0.50$

.X  $\pm 0.20$

XX  $\pm 0.10$

ANGLES  $\pm 1^\circ$

### TITLE:

RF Coaxial Connector

N Female Straight Flange Connector Terminal

PART NO: N-KFD121

3



www.terujai.com



DIMENSION IN MILLIMETERS (mm)

SIZE: A4

SCALE: N/A

SHEET: 1/1

REV: A

2

1

4

3

2

1

4