

This document contains proprietary information and such information may not be disclosed to others for any purposes,  
not used for sales/marketing/procurement purposes without written permission

REV	DESCRIPTION OF REVISION	ECN NO.	BY	DATE	APPROVED
A	Initial Release	—	T.haiyun	19/12/15	19/12/15

### 1 Electrical

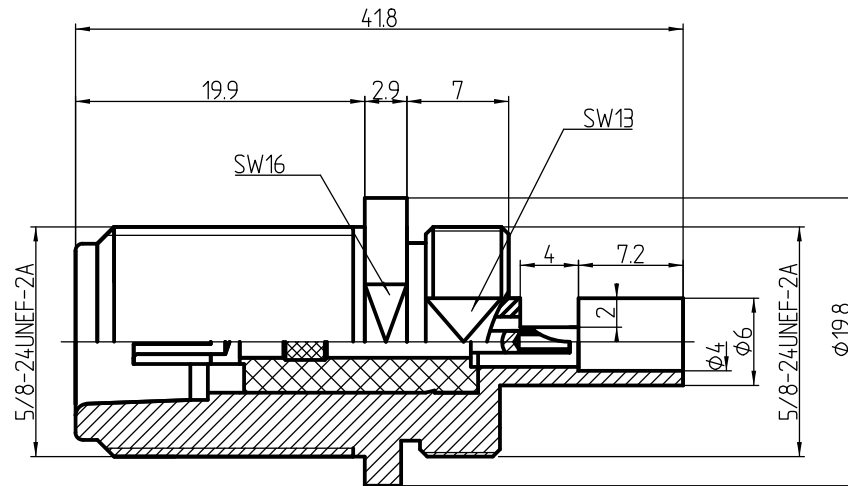
- 1.1 Impedence  $50 \Omega$
- 1.2 Frequency  $0 \sim 6\text{GHz}$
- 1.2 Dielectric withstanding voltage  $1500\text{V}(\text{volts RMS})$
- 1.3 Working Voltage:  $1000\text{V rms}$
- 1.5 Insulation resistance:  $\geq 5000\text{M}\Omega$

### 2 Environmental & Mechanical

- 2.1 Temperature range  $-40^\circ\text{C} \sim 85^\circ\text{C}$
- 2.2 RoHS Compliant
- 2.3 Durability  $>500$  cycles


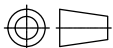
### 3 Materials & plating

- 3.1 Body: Brass, Nickel plated
- 3.2 Insulator: Teflon
- 3.3 Contact Pin: Phosphor bronze, Gold plated
- 3.4 Nut: Brass, Nickel plated
- 3.5 Washer: Brass, Nickel plated



#### Notes:

- 1. ALL SPECIFICATIONS ARE SUBJECT TO CHANGE NOTICE AT ANY TIME
- 2. CUSTOMER OUTLINE DRAWING FOR REFERENCE ONLY

DRAWN : T.Haiyun 19/12/15 ENGINEER: C.Tao 19/12/15 APPROVED : W.Qiang 19/12/15 TOLERANCES UNLESS OTHERWISE SPECIFIED X $\pm 0.50$ .X $\pm 0.20$ .XX $\pm 0.10$ ANGLES $\pm 1^\circ$	TITLE: <b>RF Coaxial Connector</b> N female B/H Flange Conn. For .141 cable	 <a href="http://www.tenilai.com">www.tenilai.com</a>  DIMENSION IN MILLIMETERS (mm)		
PART NO: N-KYB3TC	SIZE: A4	SCALE: N/A	SHEET: 1/1	REV: A