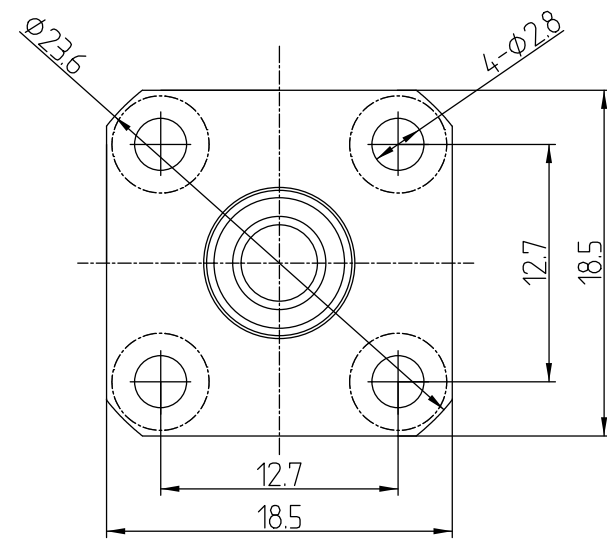
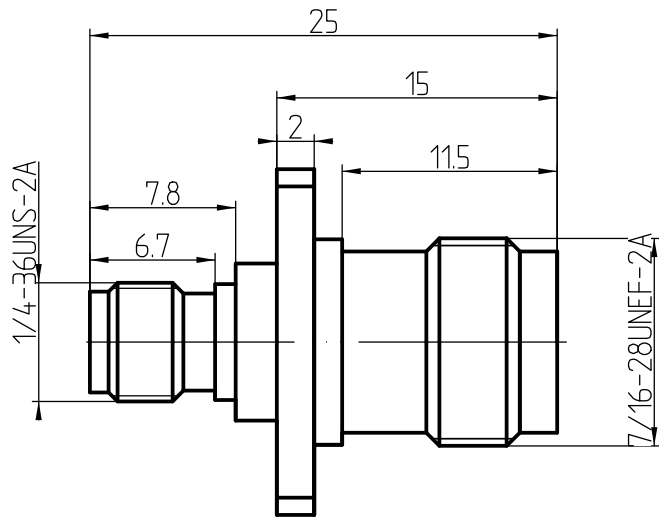


This document contains proprietary information and such information may not be disclosed to others for any purposes, not used for sales/marketing/procurement purposes without written permission

REV	DESCRIPTION OF REVISION	ECN NO.	BY	DATE	APPROVED
A	Initial Release	—	T. Shihua	09/07/15	09/07/15

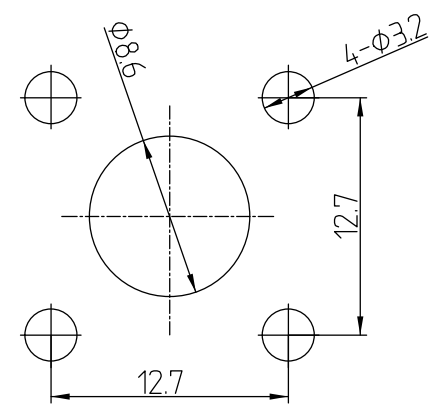


- 1 Electrical
- 1.1 Impedence 50 Ω
 - 1.2 Frequency DC-6GHz
 - 1.3 Dielectric withstanding voltage 100V(volts RMS)
 - 1.4 Center contact resistance ≤ 3MΩ
 - 1.5 Outer contact resistance ≤ 2MΩ
 - 1.6 Insulation resistance: ≥ 5000MΩ



- 2 Environmental&Mechanical
- 2.1 Temperature range -45℃~85℃
 - 2.2 RoHS Compliant
 - 2.3 Durability ≥ 500 cycles

- 3 Materials&plating
- 3.1 Body: Brass, Nickel plated
 - 3.2 Insulator: Teflon
 - 3.3 Contact Pin: Phosphor Bronze, Gold plated

Recommended Mounting Hole



- Notes:
- 1. ALL SPECIFICATIONS ARE SUBJECT TO CHANGE NOTICE AT ANY TIME
 - 2. CUSTOMER OUTLINE DRAWING FOR REFERENCE ONLY

DRAWN : T. Shihua 09/07/15 ENGINEER: C. Tao 09/07/15 APPROVED : W. Qiang 09/07/15	TITLE: RF Adaptor TNC Female to SMA Female Flange Adaptor	 www.trl-rf.com	
TOLERANCES UNLESS OTHERWISE SPECIFIED X ±0.50 .X ±0.20 .XX ±0.10 ANGLES ±1°	PART NO: TNC/SMA-RFK		DIMENSION IN MILLIMETERS (mm) 
SIZE: A4	SCALE: N/A	SHEET: 1/1	REV: A