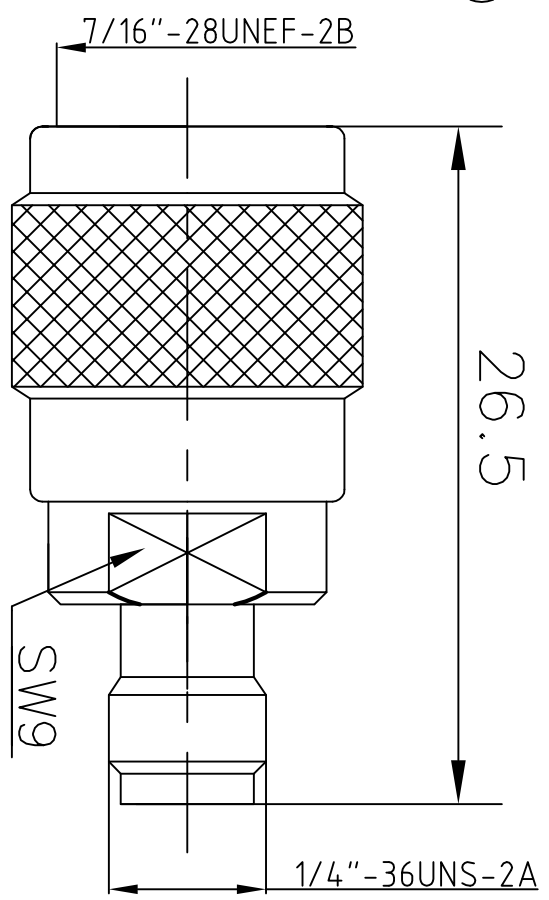


This document contains proprietary information and such information may not be disclosed to others for any purposes, not used for sales/marketing/procurement purposes without written permission

REV	DESCRIPTION OF REVISION	ECN NO.	BY	DATE	APPROVED
A	Initial Release		T.Shihua	18/7/13	18/7/13

- 1 Electrical
 - 1.1 Impedence 50 Ω
 - 1.2 Frequency 0~11GHz
 - 1.3 Dielectric withstanding voltage 1000V(volts RMS)
 - 1.4 Center contact resistance $\leq 1.5M\Omega$
 - 1.5 Outer contact resistance $\leq 0.2M\Omega$
 - 1.6 Insulation resistance: $\geq 5000M\Omega$
- 2 Environmental&Mechanical
 - 2.1 Temperature range -55 $^{\circ}C$ ~155 $^{\circ}C$
 - 2.2 RoHs Compliant
 - 2.3 Durability >500 cycles
- 3 Materials&plating
 - 3.1 Body: Brass, nickel plated
 - 3.2 Insulator: Teflon
 - 3.3 Contact Pin: Beryllium copper, Gold plated
 - 3.4 Coupling nut: Brass, Gold plated
 - 3.5 Spring: Phosphor bronze, nickel plated
 - 3.6 Gasket: Silicon Rubber



Notes:

- 1. ALL SPECIFICATIONS ARE SUBJECT TO CHANGE NOTICE AT ANY TIME
- 2. CUSTOMER OUTLINE DRAWING FOR REFERENCE ONLY

DRAWN: T.Shihua 18/07/13 ENGINEER: C.Too 18/07/13 APPROVED: W.Qiang 18/07/13 TOLERANCES UNLESS OTHERWISE SPECIFIED X ±0.30 .X ±0.20 .XX ±0.10 ANGLES 30°	TITLE: TNC/SMA-JK TNC male to SMA female adaptor	 www.trellytech.com
PART NO: TRL-TNCSMAF-0239	SIZE: A4	SCALE: N/A
	SHEET: 1/1	REV: A