

This document contains proprietary information and such information may not be disclosed to others for any purposes, not used for sales/marketing/procurement purposes without written permission

| REV | DESCRIPTION OF REVISION | ECN NO. | BY | DATE | APPROVED |
|-----|-------------------------|---------|----------|---------|----------|
| A | Initial Release | — | T.Shihua | 1/11/14 | 1/11/14 |

1 Electrical

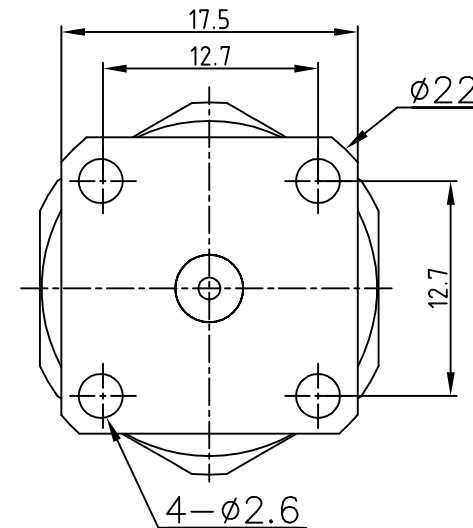
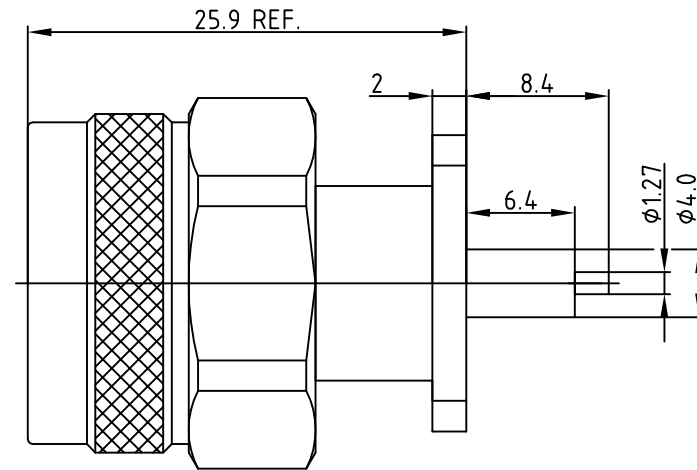
| | |
|-------------------------------------|--------------------|
| 1.1 Impedence | 50Ω |
| 1.2 Frequency | DC-6GHz |
| 1.3 Dielectric withstanding voltage | 1500V(volts RMS) |
| 1.4 Center contact resistance | ≤ 6MΩ |
| 1.5 Outer contact resistance | ≤ 2MΩ |
| 1.6 Insulation resistance: | ≥ 5000MΩ |
| 1.7 VSWR | 1.15:1 |
| 1.8 Insertion Loss | 0.05dBXSq.Rt(FGHz) |

2 Environmental&Mechanical

| | |
|-----------------------|-------------|
| 2.1 Temperature range | -55℃~155℃ |
| 2.2 RoHs Status | Compliant |
| 2.3 Durability | >500 cycles |



3 Materials&Finish

| | |
|-------------------|----------------------------|
| 3.1 Body: | Brass, Tri-Metal plated |
| 3.2 Insulator: | Teflon |
| 3.3 Contact Pin: | Brass, silver plated |
| 3.4 Coupling Nut: | Brass, Tri-Metal plated |
| 3.5 Gasket: | Silicon rubber (red color) |
| 3.6 C-ring: | Phosphor bronze, Natural |



Notes:

- ALL SPECIFICATIONS ARE SUBJECT TO CHANGE NOTICE AT ANY TIME
- CUSTOMER OUTLINE DRAWING FOR REFERENCE ONLY

| | | | | | |
|--|--|---|--|----------|------------|
| DRAWN: T.Shihua 1/11/14 | TITLE: N-JFD5 |  www.t-rely.com.cn | | | |
| ENGINEER: C.Tao 1/11/14 | N Male Straight Flange Conn. For Terminal | | | | |
| APPROVED: W.Qiang 1/11/14 | |  DIMENSION IN MILLIMETERS (mm) | | | |
| TOLERANCES UNLESS OTHERWISE SPECIFIED .X ±0.50 .X ±0.20 .XX ±0.10 ANGLES ±1° | PART NO: TRL-NM-2638123 | | | SIZE: A4 | SCALE: N/A |