

This document contains proprietary information and such information may not be disclosed to others for any purposes, not used for sales/marketing/procurement purposes without written permission

REV	DESCRIPTION OF REVISION	ECN NO.	BY	DATE	APPROVED
A	Initial Release	—	T.Shihua	09/07/15	09/07/15

1 Electrical

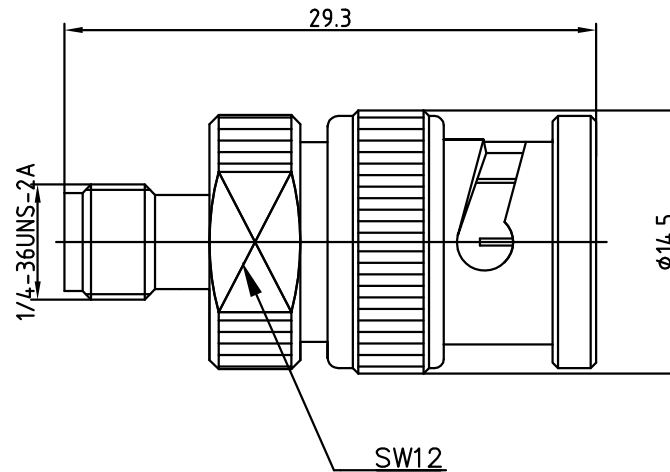
- 1.1 Impedence 50Ω
- 1.2 Frequency DC-4GHz
- 1.3 Dielectric withstanding voltage 1000V(volts RMS)
- 1.4 Center contact resistance ≤ 3MΩ
- 1.5 Outer contact resistance ≤ 2MΩ
- 1.6 Insulation resistance: ≥5000MΩ

2 Environmental&Mechanical

- 2.1 Temperature range -65℃~165℃
- 2.2 RoHs Compliant
- 2.3 Durability >500 cycles



3 Materials&plating

- 3.1 Body: Brass, Nickel plated
- 3.2 Insulator: Teflon
- 3.3 Contact Pin: Phosphor Bronze, Gold plated
- 3.4 Coupling Nut: Brass, nickel plated
- 3.5 Washer: bronze, nickel plated
- 3.6 Gasket: Silicon rubber(red color)



Notes:

- 1.ALL SPECIFICATIONS ARE SUBJECT TO CHANGE NOTICE AT ANY TIME
- 2.CUSTOMER OUTLINE DRAWING FOR REFERENCE ONLY

DRAWN: T.Shihua 09/07/15	TITLE: RF Adaptor BNC Male to SMA Female Adaptor	 <a href="http://www.t-rely.com.cn">www.t-rely.com.cn</a>	
ENGINEER: C.Tao 09/07/15			
APPROVED: W.Qiang 09/07/15			
TOLERANCES UNLESS OTHERWISE SPECIFIED X ±0.50 .X ±0.20 .XX ±0.10 ANGLES ±1°	PART NO: BNC/SMA-JK	 DIMENSION IN MILLIMETERS (mm)	
SIZE: A4	SCALE: N/A	SHEET: 1/1	REV: A