

This document contains proprietary information and such information may not be disclosed to others for any purposes, not used for sales/marketing/procurement purposes without written permission

REV	DESCRIPTION OF REVISION	ECN NO.	BY	DATE	APPROVED
A	Initial Release	—	T.Shihua	30/09/15	30/09/15

1 Electrical

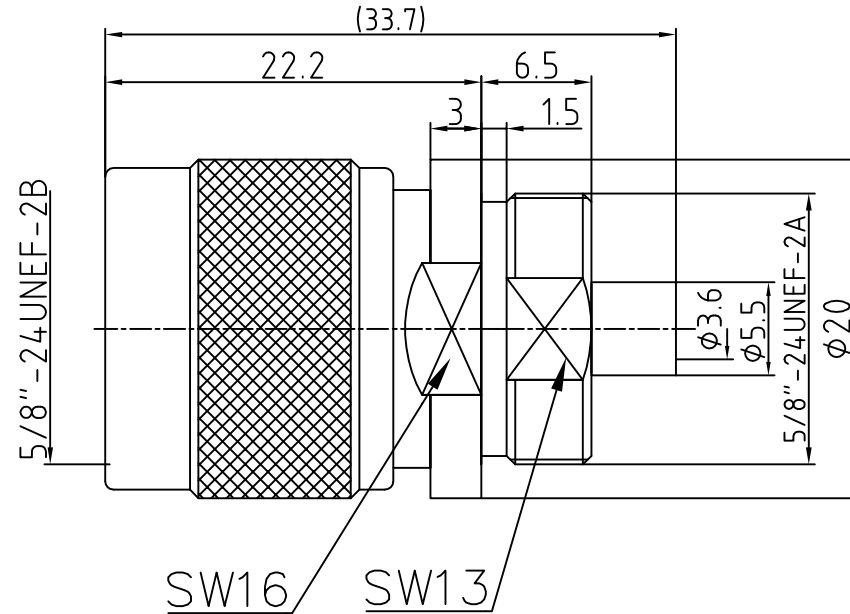
- 1.1 Impedence 50Ω
- 1.2 Frequency DC-6GHz
- 1.3 Dielectric withstanding voltage 1500V(volts RMS)
- 1.4 Center contact resistance ≤ 1MΩ
- 1.5 Outer contact resistance ≤ 0.2MΩ
- 1.6 Insulation resistance: ≥ 5000MΩ
- 1.7 VSWR 1.2 max

2 Environmental&Mechanical

- 2.1 Temperature range -55℃~155℃
- 2.2 RoHs Compliant
- 2.3 Durability >500 cycles



3 Materials&plating

- 3.1 Body: Brass, nickel plated
- 3.2 Insulator: Teflon
- 3.3 Contact Pin: Brass, Gold plated
- 3.4 Coupling Nut: Brass, nickel plated
- 3.5 Gasket: Silicon rubber (red color)
- 3.6 Spring: Phosphor bronze, nickel plated



Notes:

- 1.ALL SPECIFICATIONS ARE SUBJECT TO CHANGE NOTICE AT ANY TIME
- 2.CUSTOMER OUTLINE DRAWING FOR REFERENCE ONLY

DRAWN: T.Shihua 30/09/15	TITLE: N-JYB3	 <a href="http://www.terullal.com">www.terullal.com</a>			
ENGINEER: C.Tao 30/09/15	N Male Bulkhead Conn. For RG402 Cable				
APPROVED: W.Qiang 30/09/15		 DIMENSION IN MILLIMETERS (mm)			
TOLERANCES UNLESS OTHERWISE SPECIFIED .X ±0.50 .X ±0.20 .XX ±0.10 ANGLES ±1°	PART NO: TRL-NM-262345	SIZE: A4	SCALE: N/A	SHEET: 1/1	REV: A