

This document contains proprietary information and such information may not be disclosed to others for any purposes, not used for sales/marketing/procurement purposes without written permission

REV	DESCRIPTION OF REVISION	ECN NO.	BY	DATE	APPROVED
A	Initial Release	—	T.Shihua	18/7/13	18/7/13

1 Electrical

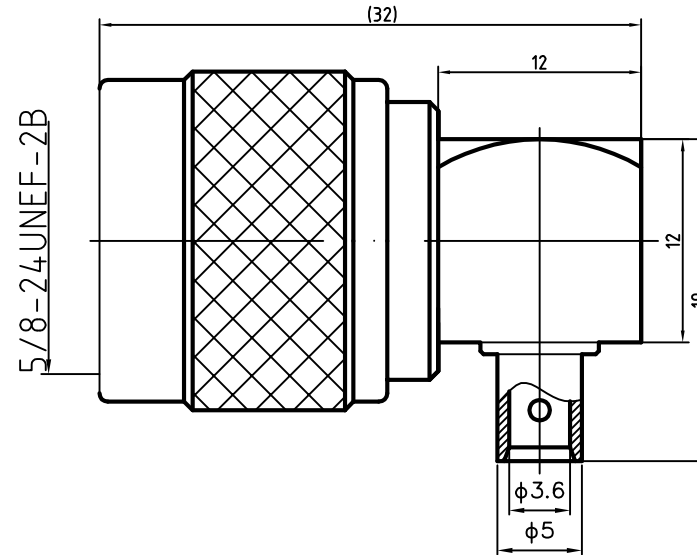
- 1.1 Impedence 50Ω
- 1.2 Dielectric withstanding voltage 1500V(volts RMS)
- 1.3 Center contact resistance ≤ 1MΩ
- 1.4 Outer contact resistance ≤ 0.2MΩ
- 1.5 Insulation resistance: ≥5000MΩ

2 Environmental&Mechanical

- 2.1 Temperature range -55℃~155℃
- 2.2 RoHs Compliant
- 2.3 Durability >500 cycles



3 Materials&plating (Micro-inch)

- 3.1 Body: Brass, nickel plated
- 3.2 Insulator: Teflon
- 3.3 Contact Pin: Brass, Gold plated
- 3.4 Housing: Brass, nickel plated
- 3.5 Hex Nut: Brass, nickel plated
- 3.6 Gasket: Silicon rubber (red color)
- 3.7 Spring: Phosphor bronze, nickel plated



Notes:

- 1.ALL SPECIFICATIONS ARE SUBJECT TO CHANGE NOTICE AT ANY TIME
- 2.CUSTOMER OUTLINE DRAWING FOR REFERENCE ONLY

DRAWN: T.Shihua 18/07/13	TITLE: N-JWB3	 www.t-relytech.com
ENGINEER: C.Tao 18/07/13	N Male Right Angle Conn. For RG402 Cable	
APPROVED: W.Qiang 18/07/13		 DIMENSION IN MILLIMETERS (mm)
TOLERANCES UNLESS OTHERWISE SPECIFIED	PART NO: TRL-NM-2638510	SIZE: A4
X ±0.50		SCALE: 1:1
.X ±0.20		SHEET: 1/1
.XX ±0.10		REV: A
ANGLES ±1°		