

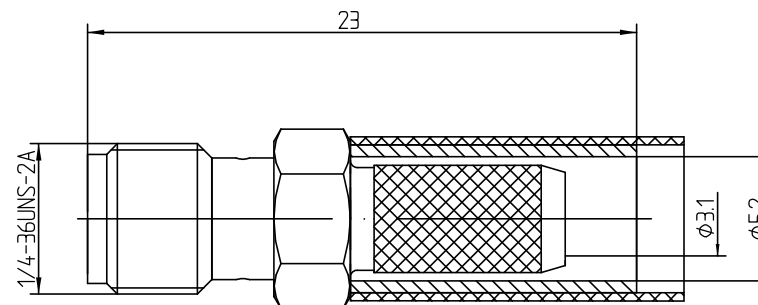
This document contains proprietary information and such information may not be disclosed to others for any purposes, not used for sales/marketing/procurement purposes without written permission

| REV | DESCRIPTION OF REVISION | ECN NO. | BY        | DATE    | APPROVED |
|-----|-------------------------|---------|-----------|---------|----------|
| A   | Initial Release         | —       | T. Haiyun | 19/7/16 | 19/7/16  |



1 Electrical  
 1.1 Impedence 50 Ω  
 1.2 Frequency DC ~6GHz  
 1.3 Dielectric withstanding voltage 1000V(volts RMS)  
 1.4 Center contact resistance ≤ 3M Ω  
 1.5 Outer contact resistance ≤ 2M Ω  
 1.6 Insulation resistance: ≥5000M Ω

2 Environmental&Mechanical  
 2.1 Temperature range -40℃ ~+85℃  
 2.2 RoHs Compliant  
 2.3 Durability >500 cycles

3 Materials&plating  
 3.1 Body: Brass; gold plated  
 3.2 Insulator: Teflon  
 3.3 Contact Pin: Brass, Gold plated  
 3.4 Ferrule: Copper, Nickel plated



Notes:  
 1. ALL SPECIFICATIONS ARE SUBJECT TO CHANGE NOTICE AT ANY TIME  
 2. CUSTOMER OUTLINE DRAWING FOR REFERENCE ONLY

|                                       |   |   |          |            |            |
|---------------------------------------|---|---|----------|------------|------------|
| DRAWN: T. Haiyun 19/7/16              | TITLE:<br>RF Coaxial Connector<br>SMA Female Conn. for LMR200 Cable |  www.teruilai.com<br> DIMENSION IN MILLIMETERS (mm) |          |            |            |
| ENGINEER: C. Tao 19/7/16              |   |   |          |            |            |
| APPROVED: W. Qiang 19/7/16            |   | PART NO: SMA-K200   | SIZE: A4 | SCALE: N/A | SHEET: 1/1 |
| TOLERANCES UNLESS OTHERWISE SPECIFIED |   |   |          |            |            |
| X                                     | ±0.50   |   |          |            |            |
| .X                                    | ±0.20   |   |          |            |            |
| .XX                                   | ±0.10   |   |          |            |            |
| ANGLES                                | ±1°   |   |          |            |            |