

1

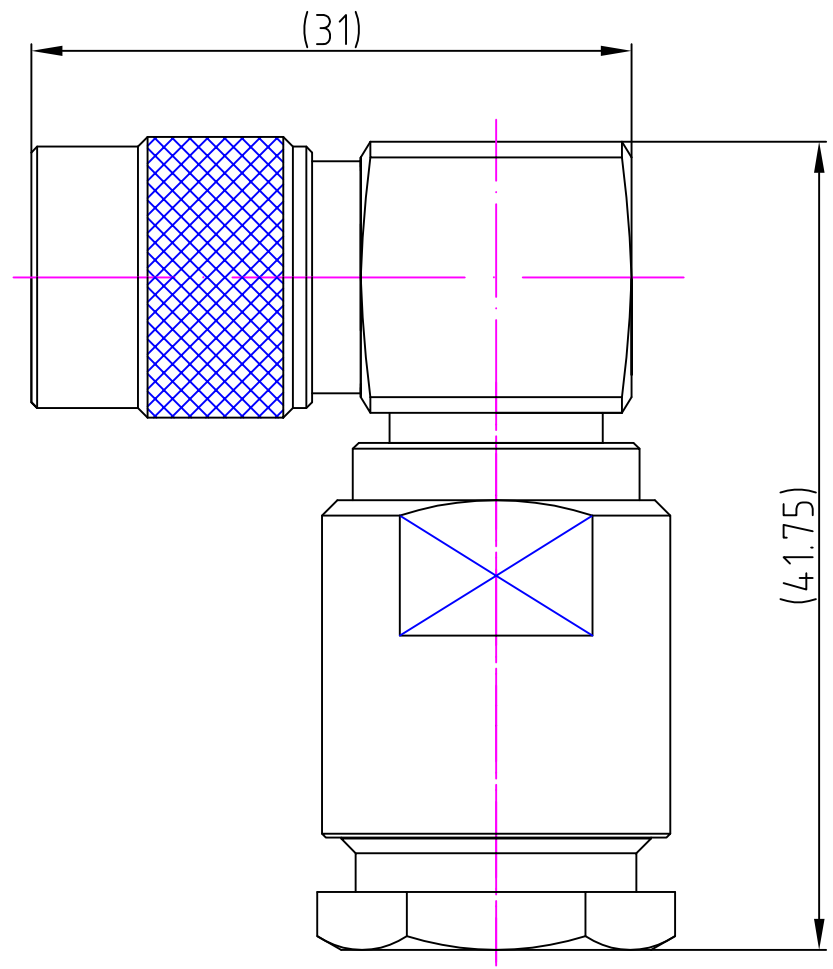
2

3

4

This document contains proprietary information and such information may not be disclosed to others for any purposes, not used for sales/marketing/procurement purposes without written permission

REV	DESCRIPTION OF REVISION	ECN NO.	BY	DATE	APPROVED
A	Initial Release	—	T.Haiyun	17/12/15	17/12/15



A



A

B

B

Notes:

- 1. ALL SPECIFICATIONS ARE SUBJECT TO CHANGE NOTICE AT ANY TIME
- 2. CUSTOMER OUTLINE DRAWING FOR REFERENCE ONLY

DRAWN: T.Haiyun 17/12/15	TITLE:	 www.terullal.com
ENGINEER: C.Tao 17/12/15	TNC-JW400C TNC Male Right Angle Conn. for LMR400 Cable Clamp (PUSH FIT)	
APPROVED: W.Qiang 17/12/15		 DIMENSION IN MILLIMETERS (mm)
TOLERANCES UNLESS OTHERWISE SPECIFIED	PART NO: TRL-TNCM-236544	SIZE: A4
X ±0.50		SCALE: N/A
.X ±0.20		SHEET: 1/1
.XX ±0.10		REV: A
ANGLES ±1°		

1

2

3

4