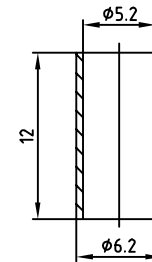
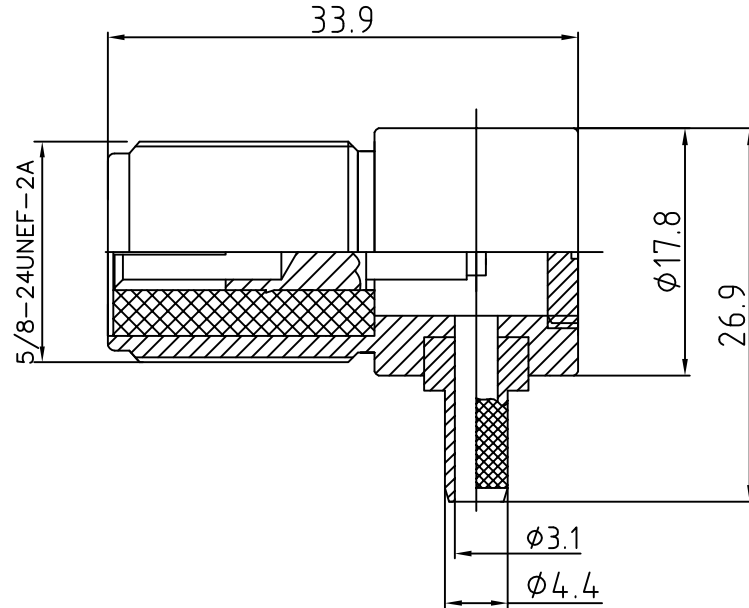
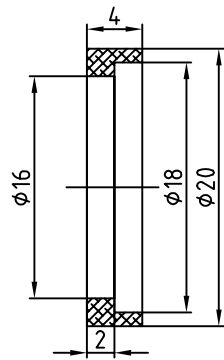
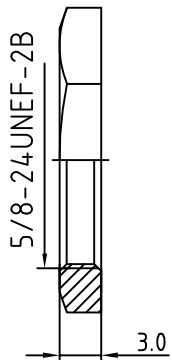


This document contains proprietary information and such information may not be disclosed to others for any purposes, not used for sales/marketing/procurement purposes without written permission

| REV | DESCRIPTION OF REVISION | ECN NO. | BY | DATE | APPROVED |
|-----|-------------------------|---------|----------|----------|----------|
| A | Initial Release | — | T.Shihua | 17/02/14 | 17/02/14 |





3 Materials & Finish

- 3.1 Body: Brass, Nickel plated
- 3.2 Insulator: Teflon
- 3.3 Contact Pin: Phosphor bronze, Gold plated
- 3.4 Ferrule: Copper, Nickel plated
- 3.5 Gasket: Silicon Rubber (black rubber)

Notes:

- 1. ALL SPECIFICATIONS ARE SUBJECT TO CHANGE NOTICE AT ANY TIME
- 2. CUSTOMER OUTLINE DRAWING FOR REFERENCE ONLY

| | | | | | |
|---|---|---|------------|------------|--------|
| DRAWN: T.Shihua 17/02/14 | TITLE: UHF-KW5Y |  www.t-rely.com.cn | | | |
| ENGINEER: C.Tao 17/02/14 | UHF Female Right Angle Conn. For RG58 Cable Crimp | | | | |
| APPROVED: W.Qiang 17/02/14 | |  DIMENSION IN MILLIMETERS (mm) | | | |
| TOLERANCES UNLESS OTHERWISE SPECIFIED X ±0.50 .X ±0.20 .XX ±0.10 ANGLES ±1° | PART NO: TRL-UHFF-289033 | SIZE: A4 | SCALE: N/A | SHEET: 1/1 | REV: A |