

This document contains proprietary information and such information may not be disclosed to others for any purposes, not used for sales/marketing/procurement purposes without written permission

REV	DESCRIPTION OF REVISION	ECN NO.	BY	DATE	APPROVED
A	Initial Release	—	T.Shihua	26/9/13	26/9/13

1 Electrical

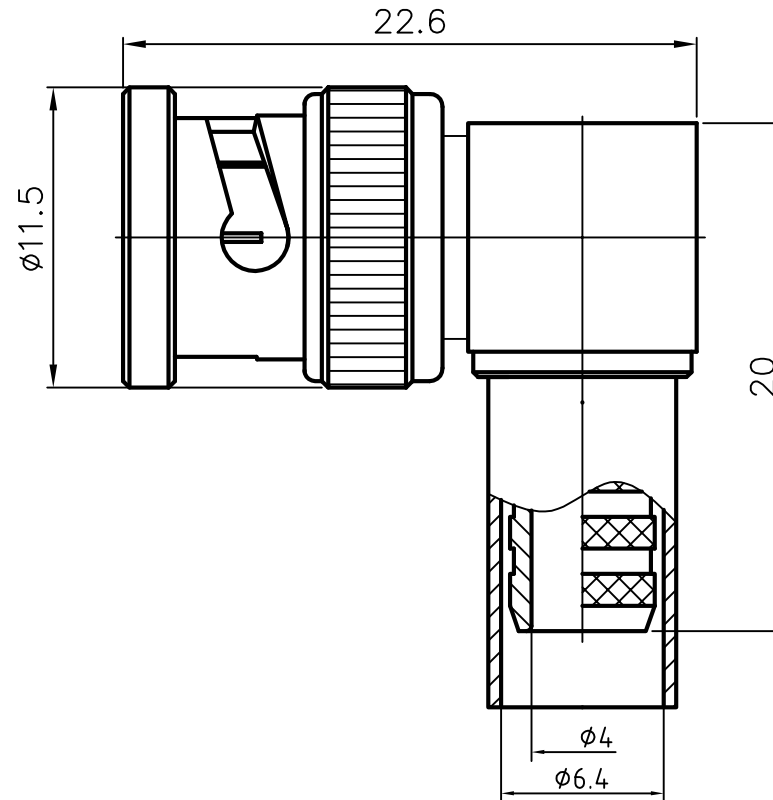
- 1.1 Impedence 50Ω
- 1.2 Dielectric withstanding voltage 1000V(volts RMS)
- 1.3 Center contact resistance ≤ 3MΩ
- 1.4 Outer contact resistance ≤ 2MΩ
- 1.5 Insulation resistance: ≥5000MΩ

2 Environmental&Mechanical

- 2.1 Temperature range -55℃~155℃
- 2.2 RoHs Compliant
- 2.3 Durability >500 cycles



3 Materials&plating

- 3.1 Body: Brass, nickel plated
- 3.2 Insulator: Teflon
- 3.3 Contact Pin: Brass, Gold plated
- 3.4 Coupling nut: Brass, nickel plated
- 3.5 Washer: Beryllium copper, nickel plated
- 3.6 Ferrule: Brass, nickel plated



Notes:

- 1.ALL SPECIFICATIONS ARE SUBJECT TO CHANGE NOTICE AT ANY TIME
- 2.CUSTOMER OUTLINE DRAWING FOR REFERENCE ONLY

DRAWN: T.Shihua 26/9/13	TITLE: Mini BNC-JW240Y	 www.t-relytech.com
ENGINEER: C.Tao 26/9/13	Mini-BNC male Right Angle Connector For LMR240 cable	
APPROVED: W.Qiang 26/9/13		 DIMENSION IN MILLIMETERS (mm)
TOLERANCES UNLESS OTHERWISE SPECIFIED	PART NO: TRL-Mini-BNCM-9260	SIZE: A4
X ±0.50		SCALE: 1:1
.X ±0.20		SHEET: 1/1
.XX ±0.10		REV: A
ANGLES ±1°		