

This document contains proprietary information and such information may not be disclosed to others for any purposes,  
not used for sales/marketing/procurement purposes without written permission

REV	DESCRIPTION OF REVISION	ECN NO.	BY	DATE	APPROVED
A	Initial Release	—	T. Shihua	18/7/08	18/7/08

1 Electrical

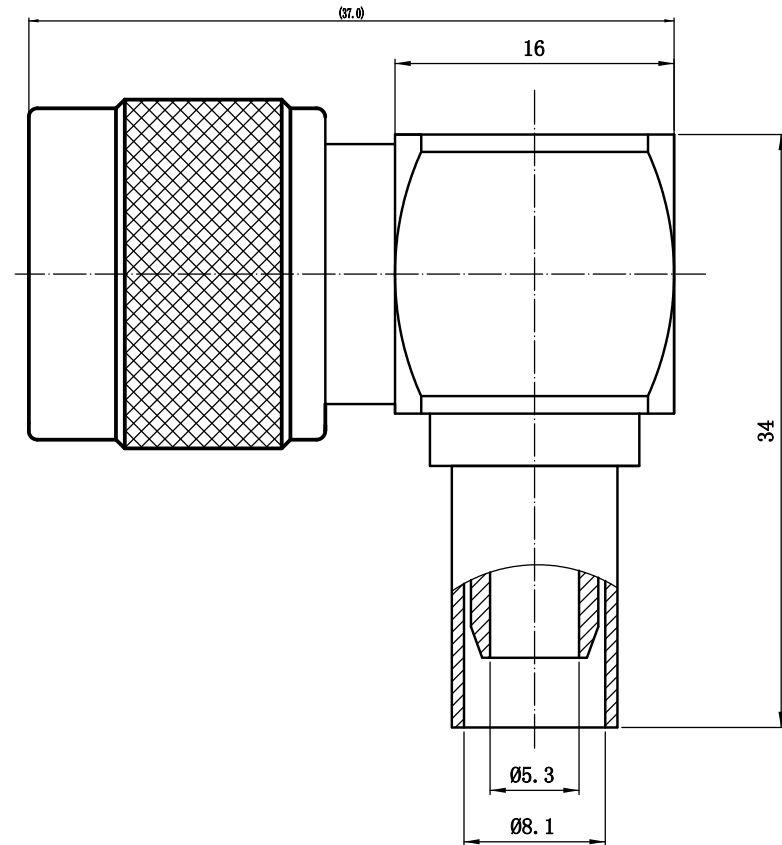
- 1.1 Impedence 50  $\Omega$
- 1.2 Dielectric withstanding voltage 1500V(volts RMS)
- 1.3 Center contact resistance  $\leq 1M\Omega$
- 1.4 Outer contact resistance  $\leq 0.2M\Omega$
- 1.5 Insulation resistance:  $\geq 5000M\Omega$

2 Environmental&Mechanical

- 2.1 Temperature range -45 $^{\circ}$ C ~85 $^{\circ}$ C
- 2.2 RoHs Compliant
- 2.3 Durability  $>500$  cycles


3 Materials&plating (Micro-inch)

- 3.1 Body: Brass, nickel plated
- 3.2 Insulator: Teflon
- 3.3 Contact Pin: Brass, Gold plated
- 3.4 Housing: Brass, nickel plated
- 3.5 Hex Nut: Brass, nickel plated
- 3.6 Gasket: Silicon rubber (red color)
- 3.7 Spring: Phosphor bronze, nickel plated



Notes:

- 1. ALL SPECIFICATIONS ARE SUBJECT TO CHANGE NOTICE AT ANY TIME
- 2. CUSTOMER OUTLINE DRAWING FOR REFERENCE ONLY

DRAWN : T. Shihua 18/07/08 ENGINEER: C. Tao 18/07/08 APPROVED : W. Qiang 18/07/08	<b>TITLE:</b> RF Coaxial Connector N Male R/A Conn. For 5D-FB Cable Crimp type	 DIMENSION IN MILLIMETERS (mm)
TOLERANCES UNLESS OTHERWISE SPECIFIED X $\pm 0.50$ .X $\pm 0.20$ .XX $\pm 0.10$ ANGLES $\pm 1^{\circ}$	PART NO: N-JW5D-FBY SIZE: A4 SCALE: N/A SHEET: 1/1 REV: A	