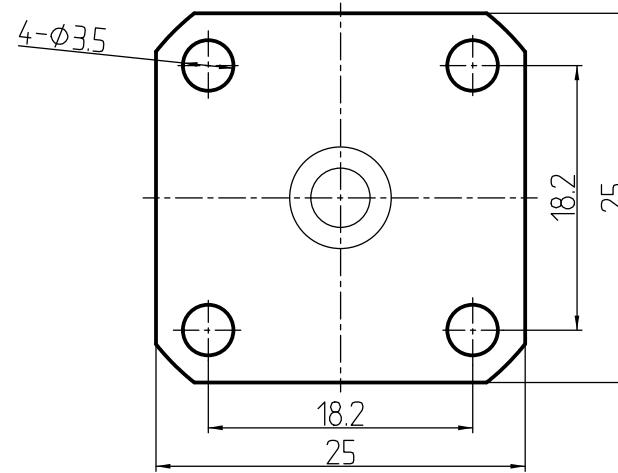
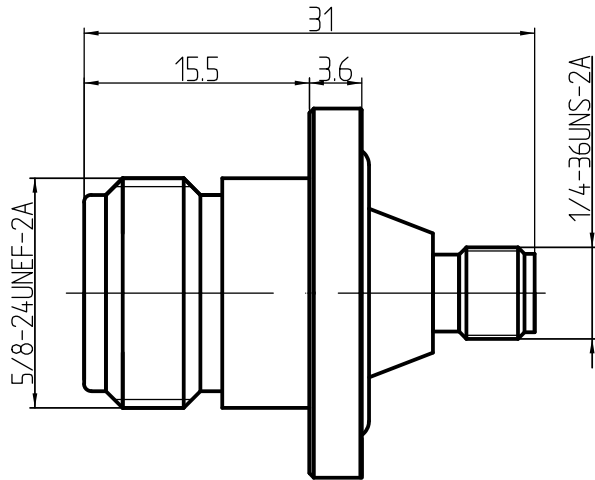
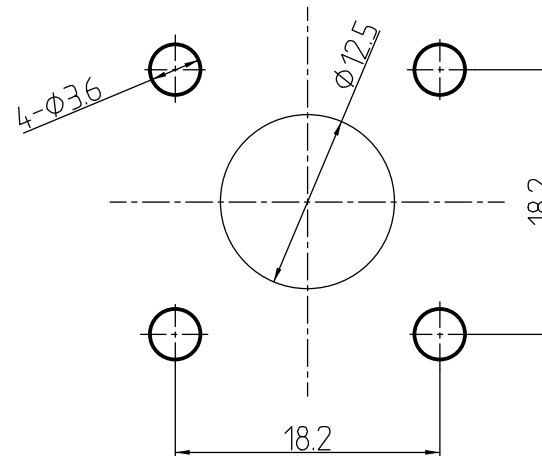


This document contains proprietary information and such information may not be disclosed to others for any purposes, not used for sales/marketing/procurement purposes without written permission

REV	DESCRIPTION OF REVISION	ECN NO.	BY	DATE	APPROVED
A	Initial Release	—	T. Shihua	18/7/13	18/7/13



Mounting Hole



1 Electrical

- 1.1 Impedence 50 Ω
- 1.2 Frequency 0~11GHz
- 1.3 Dielectric withstanding voltage 1000V(valts RMS)
- 1.4 Center contact resistance ≤ 3M Ω
- 1.5 Outer contact resistance ≤ 2M Ω
- 1.6 Insulation resistance: ≥5000M Ω

2 Environmental&Mechanical


- 2.1 Temperature range -55℃~85℃
- 2.2 RoHs Compliant
- 2.3 Durability >500 cycles

3 Materials&plating

- 3.1 Body: Brass, nickel plated
- 3.2 Insulator: Teflon
- 3.3 Contact Pin: Phosphor Bronze, Gold plated
- 3.4 Gasket: Silicon Rubber

Notes:

- 1. ALL SPECIFICATIONS ARE SUBJECT TO CHANGE NOTICE AT ANY TIME
- 2. CUSTOMER OUTLINE DRAWING FOR REFERENCE ONLY

DRAWN : T. Shihua 18/07/13 ENGINEER: C. Tao 18/07/13 APPROVED : W. Qiang 18/07/13	TITLE: <b>RF Adaptor</b> N female to SMA female Flange	 www.trl-rf.com
TOLERANCES UNLESS OTHERWISE SPECIFIED X ±0.50 .X ±0.20 .XX ±0.10 ANGLES ±1°	PART NO: N/SMA-KPK1	DIMENSION IN MILLIMETERS (mm)
SIZE: A4	SCALE: N/A	SHEET: 1/1 REV: A