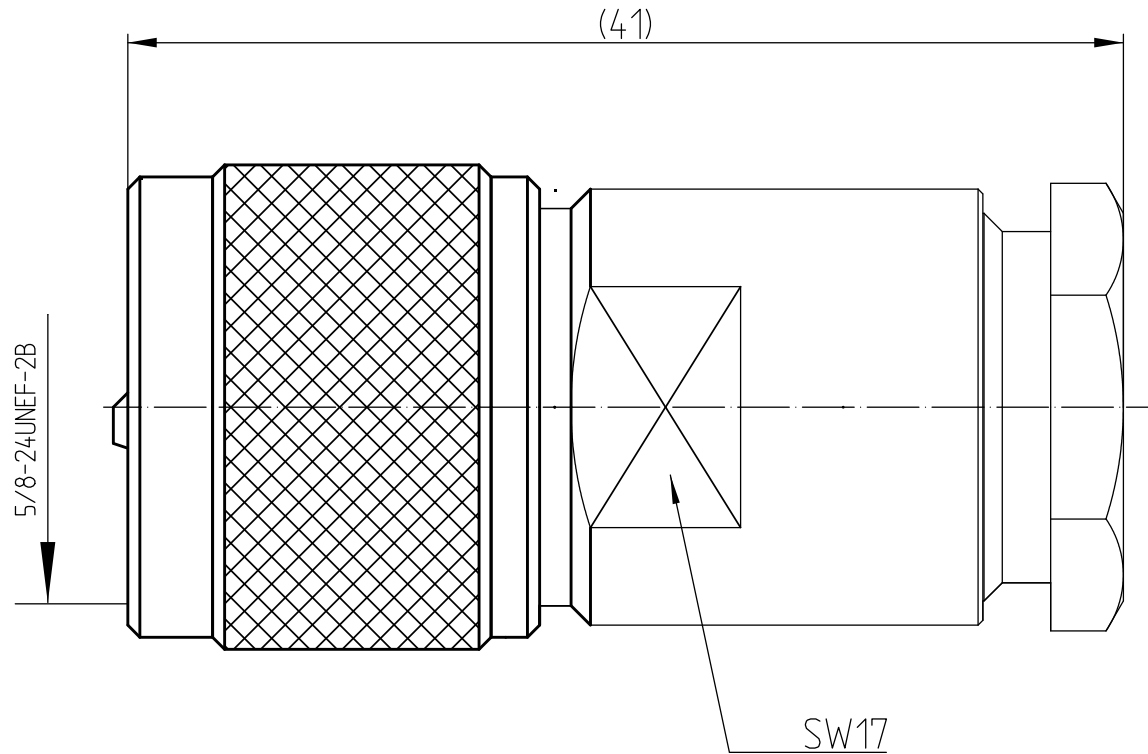


This document contains proprietary information and such information may not be disclosed to others for any purposes,
not used for sales/marketing/procurement purposes without written permission

REV	DESCRIPTION OF REVISION	ECN NO.	BY	DATE	APPROVED
A	Initial Release	—	T. Shihua	13/05/15	13/05/15


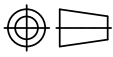


Materials&Finish

- 1 Body: Brass, Nickel plated
- 2 Insulator: Teflon
- 3 Contact Pin: Brass, Gold plated

Notes:

- 1. ALL SPECIFICATIONS ARE SUBJECT TO CHANGE NOTICE AT ANY TIME
- 2. CUSTOMER OUTLINE DRAWING FOR REFERENCE ONLY

DRAWN : T. Shihua 13/05/15 ENGINEER: C. Tao 13/05/15 APPROVED : W. Qiang 13/05/15	TITLE: RF Coaxial Connector UHF male Conn. For LMR400 Cable	 www.trf.com
TOLERANCES UNLESS OTHERWISE SPECIFIED X ±0.50 .X ±0.20 .XX ±0.10 ANGLES ±1°	 DIMENSION IN MILLIMETERS (mm)	
PART NO: UHF-J400A	SIZE: A4	SCALE: N/A SHEET: 1/1 REV: A