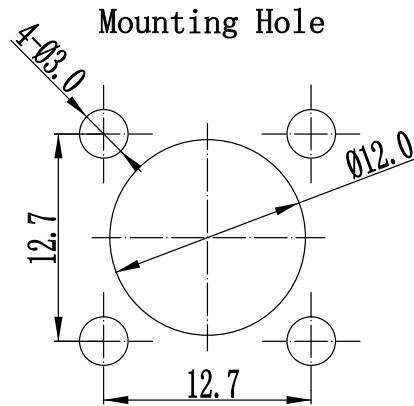
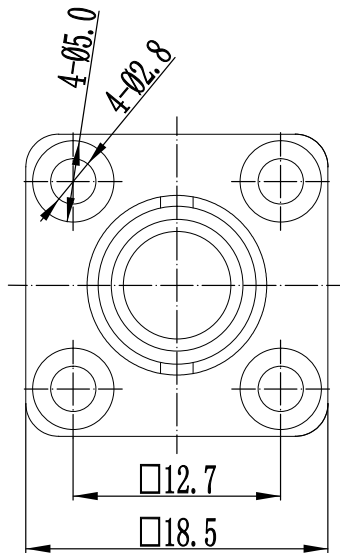
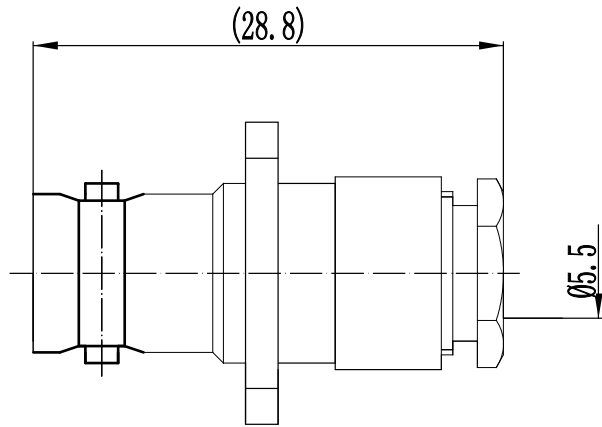


This document contains proprietary information and such information may not be disclosed to others for any purposes, not used for sales/marketing/procurement purposes without written permission

REV	DESCRIPTION OF REVISION	ECN NO.	BY	DATE	APPROVED
A	Initial Release	—	T. Shihua	02/08/13	02/08/13



1 Electrical

- 1.1 Impedance 50 Ω
- 1.2 Frequency DC-4GHz
- 1.3 Dielectric withstanding voltage 1000V(volts RMS)
- 1.4 Center contact resistance ≤ 3M Ω
- 1.5 Outer contact resistance ≤ 2M Ω
- 1.6 Insulation resistance: ≥ 5000M Ω

2 Environmental&Mechanical


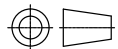
- 2.1 Temperature range -45℃~85℃
- 2.2 RoHs Compliant
- 2.3 Durability >500 cycles

3 Materials&plating

- 3.1 Body: Brass, Nickel plated
- 3.2 Insulator: Teflon
- 3.3 Contact Pin: Phosphor Bronze, Gold plated

Notes:

- 1. ALL SPECIFICATIONS ARE SUBJECT TO CHANGE NOTICE AT ANY TIME
- 2. CUSTOMER OUTLINE DRAWING FOR REFERENCE ONLY

DRAWN : T. Shihua 02/08/13 ENGINEER: C. Tao 02/08/13 APPROVED : W. Qiang 02/08/13 TOLERANCES UNLESS OTHERWISE SPECIFIED X ±0.50 .X ±0.20 .XX ±0.10 ANGLES ±1°	TITLE: RF Coaxial Connector BNC Female Flange Conn. For RG58 Cable	 <a href="http://www.trf-rf.com">www.trf-rf.com</a>  DIMENSION IN MILLIMETERS (mm)		
PART NO: BNC-KFSA	SIZE: A4	SCALE: N/A	SHEET: 1/1	REV: A