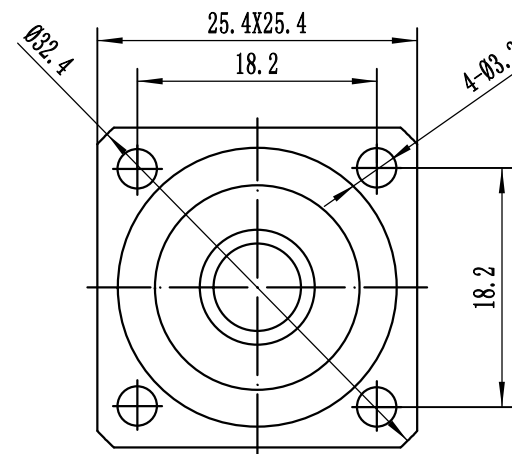
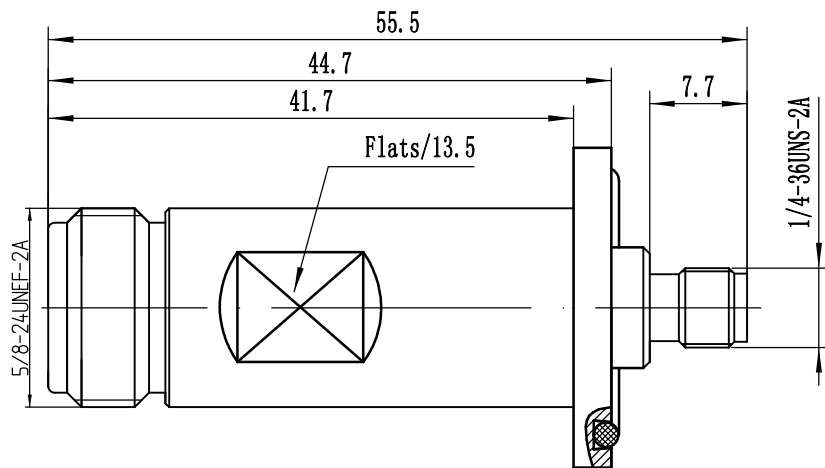


This document contains proprietary information and such information may not be disclosed to others for any purposes, not used for sales/marketing/procurement purposes without written permission

REV	DESCRIPTION OF REVISION	ECN NO.	BY	DATE	APPROVED
A	Initial Release	—	T. Shihua	19/4/17	19/4/17




- 1 Electrical
- 1.1 Impedance: 50 Ω
 - 1.2 Frequency: DC-3GHz
 - 1.3 VSWR: 1.15:1
 - 1.4 Meet with IP65 Requirement

- 2 Material&Finish
- 2.1 Contact: Beryllium-Copper, gold plated
 - 2.2 Body: Brass, Tri-ALLOY
 - 2.3 Insulators: Teflon

Notes:

- 1. ALL SPECIFICATIONS ARE SUBJECT TO CHANGE NOTICE AT ANY TIME
- 2. CUSTOMER OUTLINE DRAWING FOR REFERENCE ONLY

DRAWN: T. Shihua 19/4/17 ENGINEER: C. Tao 19/4/17 APPROVED: W. Qiang 19/4/17 TOLERANCES UNLESS OTHERWISE SPECIFIED X ±0.50 X ±0.20 XX ±0.10 ANGLES ±1°	TITLE: RF Adaptor N Female to SMA Female Flange Adaptor PART NO: N/SMA-KFKMB	Xi'an Huading Electronic Scien&Tech Co., Ltd.  DIMENSION IN MILLIMETERS (mm) SIZE: A4 SCALE: N/A SHEET: 1/1 REV: A
---	--	--