

This document contains proprietary information and such information may not be disclosed to others for any purposes, not used for sales/marketing/procurement purposes without written permission

REV	DESCRIPTION OF REVISION	ECN NO.	BY	DATE	APPROVED
A	Initial Release	—	T.Shihua	17/02/14	17/02/14

1 Electrical

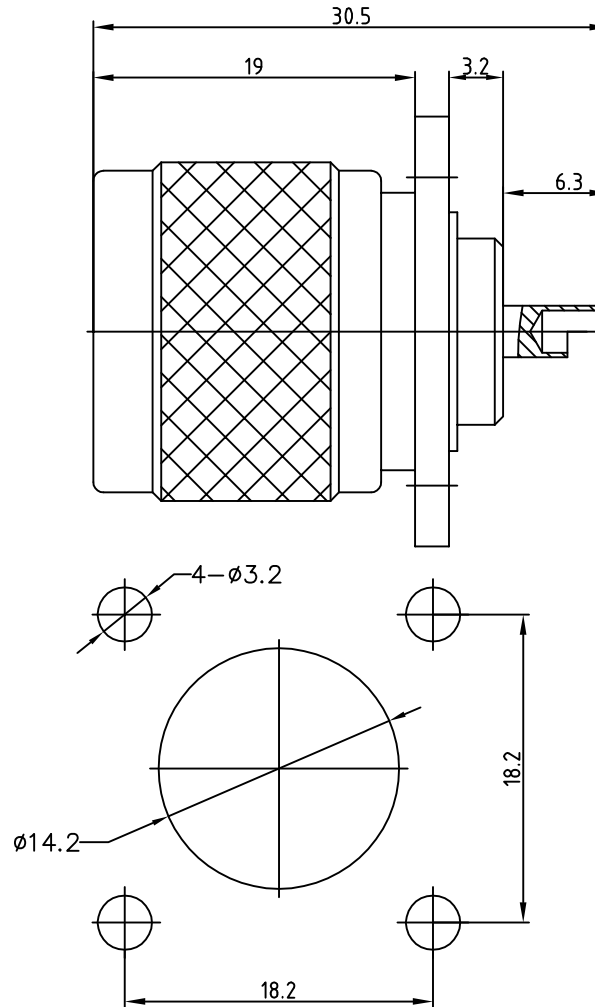
- 1.1 Impedence 50Ω
- 1.2 Frequency DC-11GHz
- 1.3 Dielectric withstanding voltage 1500V(volts RMS)
- 1.4 Center contact resistance ≤ 1MΩ
- 1.5 Outer contact resistance ≤ 0.2MΩ
- 1.6 Insulation resistance: ≥5000MΩ

2 Environmental&Mechanical

- 2.1 Temperature range -55℃~155℃
- 2.2 RoHs Compliant
- 2.3 Durability >500 cycles


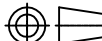
3 Materials&plating (Micro-inch)

- 3.1 Body: Brass, nickel plated
- 3.2 Insulator: Teflon
- 3.3 Contact Pin: Brass, Gold plated
- 3.4 Housing: Brass, nickel plated
- 3.5 Coupling Nut: Brass, nickel plated
- 3.6 Gasket: Silicon rubber (red color)
- 3.7 Spring: Phosphor bronze, nickel plated



Notes:

- 1.ALL SPECIFICATIONS ARE SUBJECT TO CHANGE NOTICE AT ANY TIME
- 2.CUSTOMER OUTLINE DRAWING FOR REFERENCE ONLY

DRAWN: T.Shihua 17/02/14	TITLE: N-JFD1	 www.t-rely.com.cn			
ENGINEER: C.Tao 17/02/14	N Male Straight Connector Receptacle				
APPROVED: W.Qiang 17/02/14		 DIMENSION IN MILLIMETERS (mm)			
TOLERANCES UNLESS OTHERWISE SPECIFIED	PART NO: TRL-NM-2638893	SIZE: A4	SCALE: 1:1	SHEET: 1/1	REV: A
X ±0.50					
.X ±0.20					
.XX ±0.10					
ANGLES ±1°					