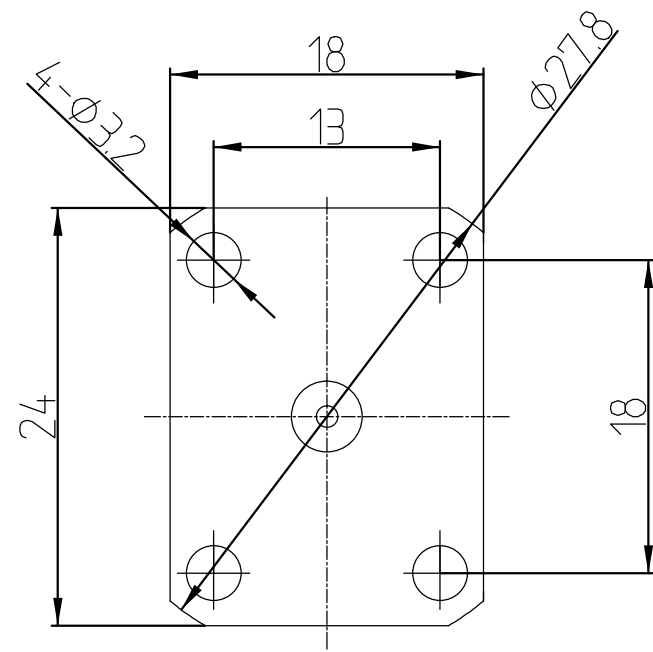
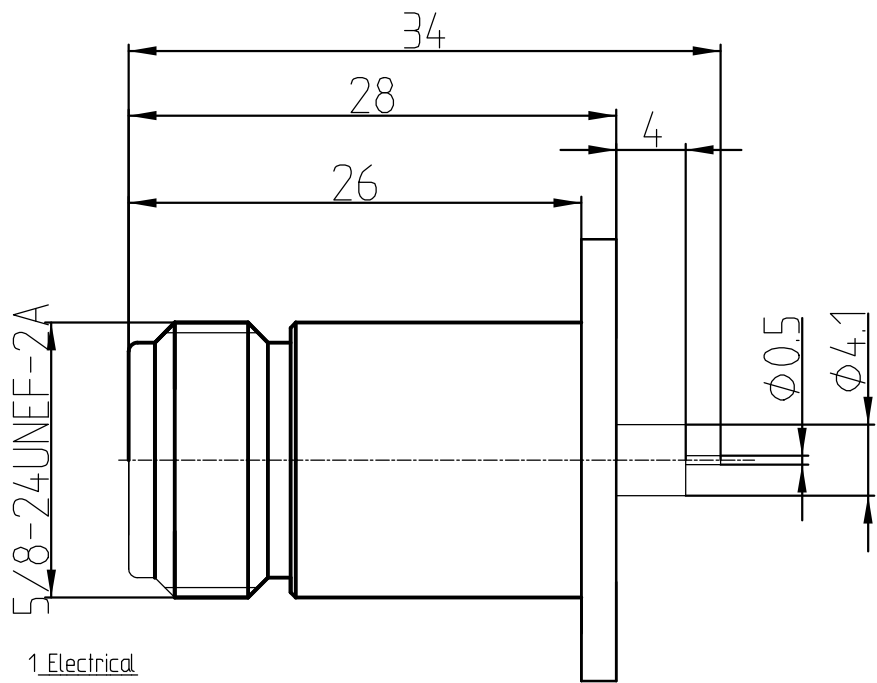


This document contains proprietary information and such information may not be disclosed to others for any purposes, not used for sales/marketing/procurement purposes without written permission

REV	DESCRIPTION OF REVISION	ECN NO.	BY	DATE	APPROVED
A	Initial Release	—	T. Shihua	07/04/16	07/04/16





- 1 Electrical
- 1.1 Impedance 50 Ω
 - 1.2 Frequency DC~8.5GHz
 - 1.3 Dielectric withstanding voltage 1500V(volts RMS)
 - 1.4 Center contact resistance ≤ 1MΩ
 - 1.5 Outer contact resistance ≤ 0.2MΩ
 - 1.6 Insulation resistance: ≥5000MΩ
 - 1.7 VSWR 1.30:1

- 2 Environmental&Mechanical
- 2.1 Temperature range -45℃~125℃
 - 2.2 RoHs Compliant
 - 2.3 Durability >500 cycles

- 3 Materials&plating
- 3.1 Body: Brass, nickel plated
 - 3.2 Insulator: Teflon
 - 3.3 Contact Pin: Bronze, Gold plated

Notes:

1. ALL SPECIFICATIONS ARE SUBJECT TO CHANGE NOTICE AT ANY TIME
2. CUSTOMER OUTLINE DRAWING FOR REFERENCE ONLY

DRAWN: T. Shihua 07/04/16	TITLE: RF Coaxial Connector N female Flange Conn. For Terminal	 www.terulai.com			
ENGINEER: C. Tao 07/04/16					
APPROVED: W. Qiang 07/04/16		 DIMENSION IN MILLIMETERS (mm)			
TOLERANCES UNLESS OTHERWISE SPECIFIED X ±0.50 X ±0.20 XX ±0.10 ANGLES ±1°	PART NO: N-KFD125	SIZE: A4	SCALE: N/A	SHEET: 1/1	REV: A