

This document contains proprietary information and such information may not be disclosed to others for any purposes, not used for sales/marketing/procurement purposes without written permission

REV	DESCRIPTION OF REVISION	ECN NO.	BY	DATE	APPROVED
A	Initial Release	—	T. Shihua	15/02/08	15/02/08

1 Electrical

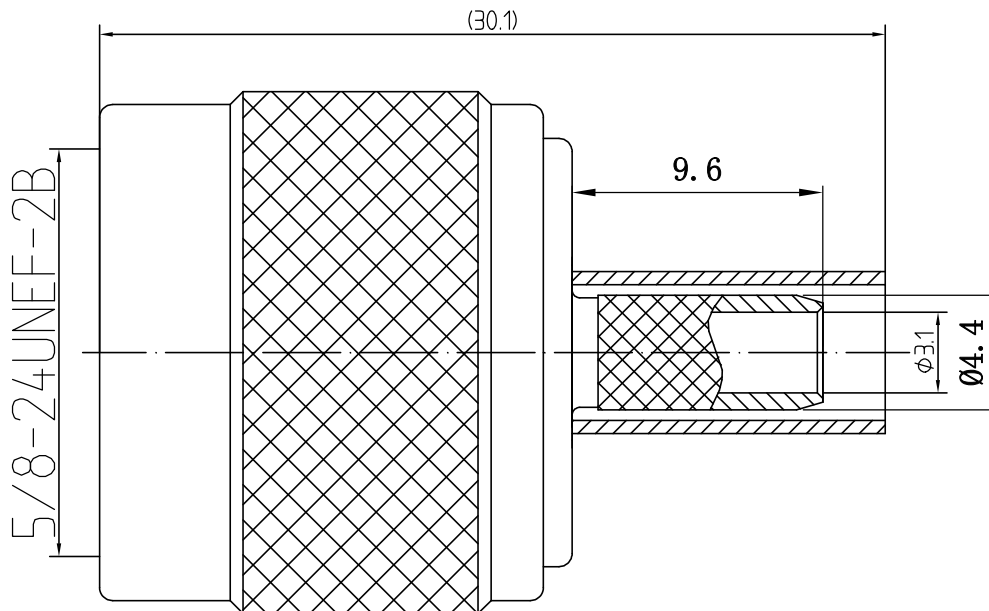
- 1.1 Impedance 50 Ω
- 1.2 Frequency 0~6GHz
- 1.2 Dielectric withstanding voltage 1500V(volts RMS)
- 1.3 Working Voltage: 1000V rms
- 1.5 Insulation resistance: ≥5000M Ω

2 Environmental&Mechanical

- 2.1 Temperature range -40℃~85℃
- 2.2 RoHs Compliant
- 2.3 Durability >500 cycles


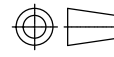
3 Materials&plating (Micro-inch)

- 3.1 Body: Brass, nickel plated
- 3.2 Insulator: Teflon
- 3.3 Contact Pin: Brass, Gold plated
- 3.4 Housing: Brass, nickel plated
- 3.5 Coupling nut: Brass, nickel plated



Notes:

- 1. ALL SPECIFICATIONS ARE SUBJECT TO CHANGE NOTICE AT ANY TIME
- 2. CUSTOMER OUTLINE DRAWING FOR REFERENCE ONLY

DRAWN: T. Shihua 15/02/08	TITLE: RF Coaxial Connector N male Conn. For LMR200 cable	 www.trl-rf.com			
ENGINEER: C. Tao 15/02/08					
APPROVED: W. Qiang 15/02/08		 DIMENSION IN MILLIMETERS (mm)			
TOLERANCES UNLESS OTHERWISE SPECIFIED X ±0.50 X ±0.20 XX ±0.10 ANGLES ±1°	PART NO: N-J200Y	SIZE: A4	SCALE: 1:1	SHEET: 1/1	REV: A