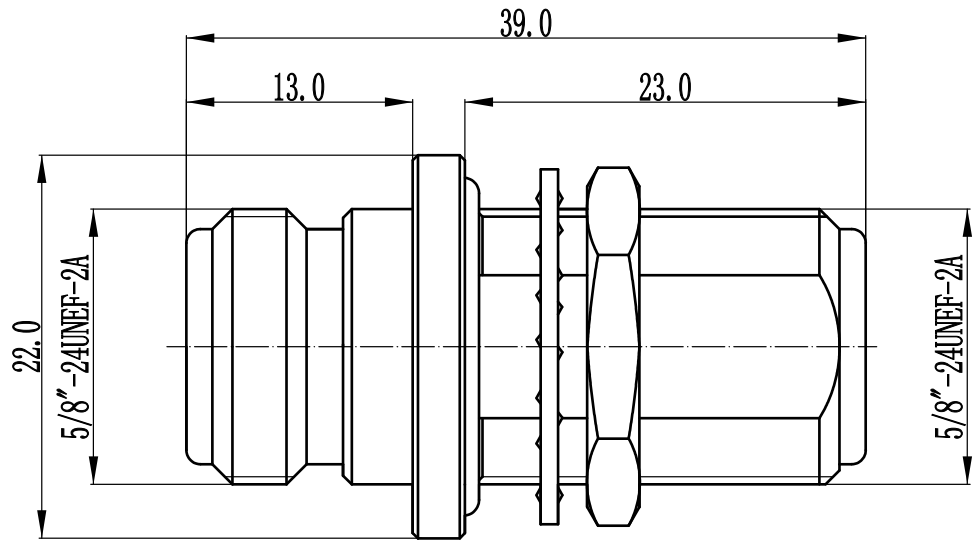


This document contains proprietary information and such information may not be disclosed to others for any purposes, not used for sales/marketing/procurement purposes without written permission

REV	DESCRIPTION OF REVISION	ECN NO.	BY	DATE	APPROVED
A	New Release	—	T. Shihua	26/08/15	26/08/15

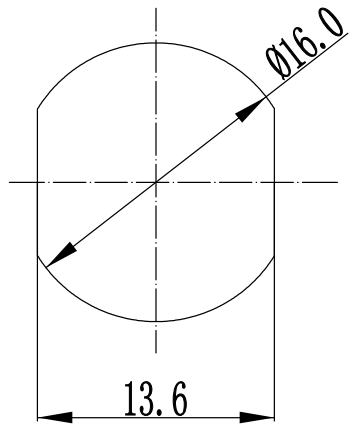


- 1 Electrical
- 1.1 Impedance 50 Ω
 - 1.2 Frequency DC-6GHz
 - 1.3 Dielectric withstanding voltage 1500V(volts RMS)
 - 1.4 Center contact resistance ≤ 1MΩ
 - 1.5 Outer contact resistance ≤ 0.2MΩ
 - 1.6 Insulation resistance: ≥ 5000MΩ
 - 1.7 VSWR 1.20:1


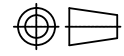
- 2 Environmental&Mechanical
- 2.1 Temperature range -45℃~85℃
 - 2.2 RoHs Compliant
 - 2.3 Durability >500 cycles

- 3 Materials&Finish
- 3.1 Body: Brass, Nickel plated
 - 3.2 Insulator: Teflon
 - 3.3 Contact Pin: Brass, gold plated
 - 3.5 Nut: Brass, Nickel plated
 - 3.6 Washer: Phosphor bronze, nickel plated

Mounting Hole



- Notes:
- 1. ALL SPECIFICATIONS ARE SUBJECT TO CHANGE NOTICE AT ANY TIME
 - 2. CUSTOMER OUTLINE DRAWING FOR REFERENCE ONLY

DRAWN : T. Shihua 26/08/15 ENGINEER: C. Tao 26/08/15 APPROVED : W. Qiang 26/08/15 TOLERANCES UNLESS OTHERWISE SPECIFIED X ±0.50 .X ±0.20 .XX ±0.10 ANGLES ±1°	TITLE: RF Adaptor N female to female B/H Adaptor	 www.teruilai.com  DIMENSION IN MILLIMETERS (mm)		
PART NO: N-KYK3M	SIZE: A4	SCALE: N/A	SHEET: 1/1	REV: A