

This document contains proprietary information and such information may not be disclosed to others for any purposes, not used for sales/marketing/procurement purposes without written permission

REV	DESCRIPTION OF REVISION	ECN NO.	BY	DATE	APPROVED
A	Initial Release	—	T. Shihua	2/12/14	2/12/14

1 Electrical

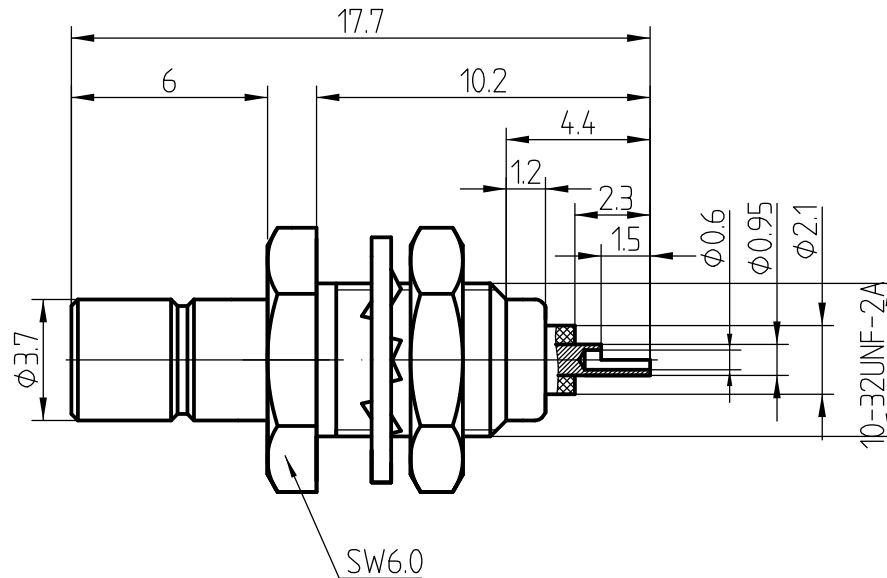
- 1.1 Impedance: 50 Ω
- 1.2 Frequency: 0~4GHz
- 1.3 Working voltage: ≤250V
- 1.4 Insulation resistance: ≥1000MΩ
- 1.5 Dielectric strength: 750V
- 1.6 Center Contact resistance: ≤6mΩ
- 1.7 Outer contact resistance: ≤1mΩ

2 Environmental&Mechanical

- 2.1 Temperature range -45℃~85℃
- 2.2 RoHs Compliant
- 2.3 Durability 500 cycles


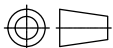
3 Materials&plating

- 3.1 Inner Contact: Brass, gold plating
- 3.1 Outer Contact: Brass, gold plated
- 3.3 Insulators: Teflon
- 3.4 Hex nut: Brass, gold plating
- 3.5 Washer: Phosphor bronze, gold plating



Notes:

- 1. ALL SPECIFICATIONS ARE SUBJECT TO CHANGE NOTICE AT ANY TIME
- 2. CUSTOMER OUTLINE DRAWING FOR REFERENCE ONLY

DRAWN : T. Shihua 2/12/14 ENGINEER: C. Tao 2/12/14 APPROVED : W. Qiang 2/12/14 TOLERANCES UNLESS OTHERWISE SPECIFIED X ±0.50 .X ±0.20 .XX ±0.10 ANGLES ±1°	TITLE: RF Coaxial Connector SMB male Bulkhead conn. Terminal PART NO: SMB-JYD2	 www.trl-rf.com  DIMENSION IN MILLIMETERS (mm)	SIZE: A4 SCALE: N/A SHEET: 1/1 REV: A
---	---	--	--