

This document contains proprietary information and such information may not be disclosed to others for any purposes, not used for sales/marketing/procurement purposes without written permission

REV	DESCRIPTION OF REVISION	BY	DATE	APPROVED
A	Initial Release	T.Haiyuu	23/05/18	23/06/18

1. Electrical
  - 1.1 Impedence 50 Ω
  - 1.2 Frequency DC ~4GHz
  - 1.3 Dielectric withstanding voltage 1500V(volts RMS)
  - 1.4 Center contact resistance  $\leq 15M\Omega$
  - 1.5 Outer contact resistance  $\leq 0.2M\Omega$
  - 1.6 Insulation resistance:  $\geq 5000M\Omega$
  - 1.7 VSWR 1:30:1
  - 1.8 Power  $\leq 2W$

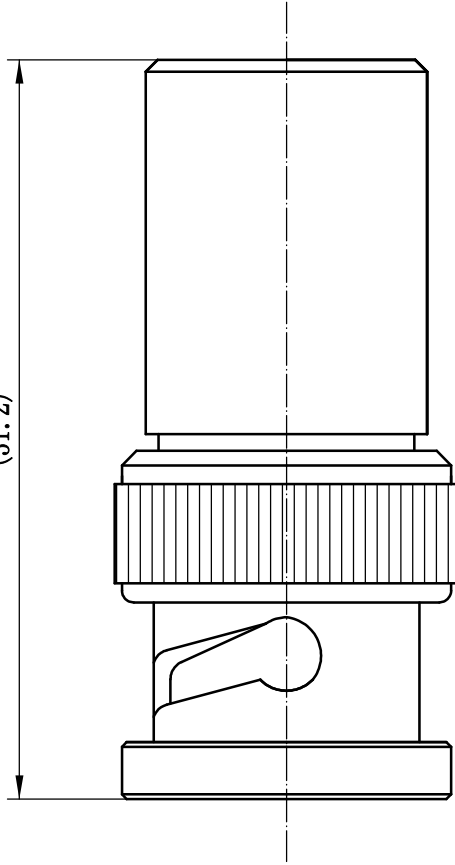
Environmental&Mechanical

- 2.1 Temperature range -40°C ~ +85°C
- 2.2 RoHS Compliant
- 2.3 Durability >500 cycles

3 Materials&plating

- 3.1 Body: Brass, Nickel plated
- 3.2 Insulator: Teflon
- 3.3 Contact Pin: Bronze, gold plated

(31.2)



**Notes:**

1. ALL SPECIFICATIONS ARE SUBJECT TO CHANGE NOTICE AT ANY TIME
2. CUSTOMER OUTLINE DRAWING FOR REFERENCE ONLY

DRAWN: T. Haiyuu 23/05/18

ENGINEER: C. Taw 23/05/18

APPROVED: H. Otag 23/05/18

TOLEANCES UNLESS OTHERWISE SPECIFIED  
 X ±0.50  
 .X ±0.20  
 .XX ±0.10  
 ANGLES ±1°

**TITLE:**

RF TERMINATION

ENC Male Conn. Termination



www.teruijai.com



DIMENSION IN MILLIMETERS (mm)

SIZE: A4 SCALE: N/A SHEET: 1/1 REV: A

PART NO: ENC-500RA