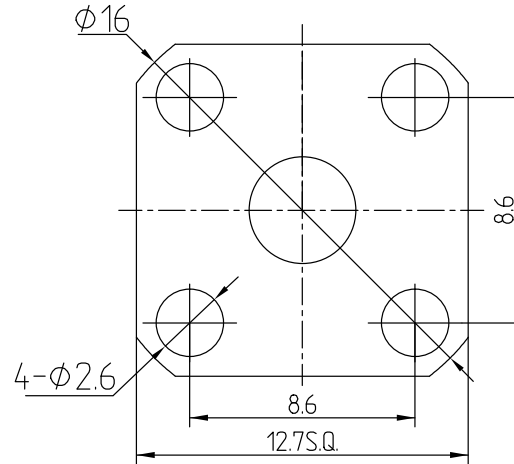
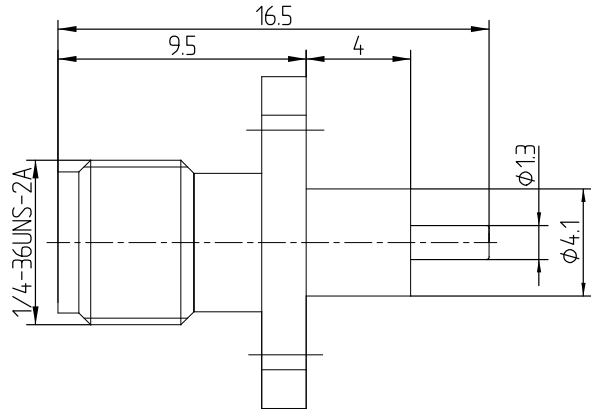
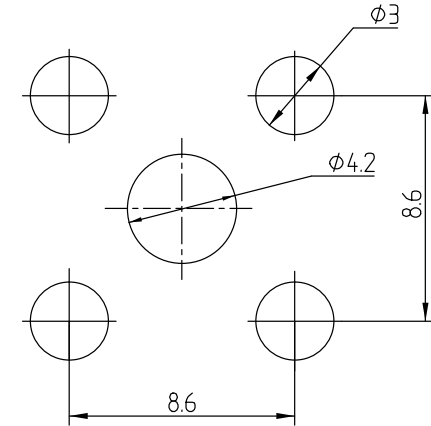


This document contains proprietary information and such information may not be disclosed to others for any purposes,
not used for sales/marketing/procurement purposes without written permission

REV	DESCRIPTION OF REVISION	ECN NO.	BY	DATE	APPROVED
A	Initial Release	—	T. Haiyun	15/09/17	15/09/17



Mounting Hole



1 Electrical

- | | |
|-------------------------------------|--------------------|
| 1.1 Impedance | 50 Ω |
| 1.2 Frequency | DC ~6GHz |
| 1.2 Dielectric withstanding voltage | 1000V(volts RMS) |
| 1.3 Center contact resistance | $\leq 3M\Omega$ |
| 1.4 Outer contact resistance | $\leq 2M\Omega$ |
| 1.5 Insulation resistance: | $\geq 5000M\Omega$ |
| 1.6 VSWR | 1.2max |

2 Environmental&Mechanical


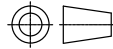
- | | |
|-----------------------|----------------------------------|
| 2.1 Temperature range | -45 $^{\circ}$ C~85 $^{\circ}$ C |
| 2.2 RoHs Compliant | |
| 2.3 Durability | >500 cycles |

3 Materials&plating

- | | |
|------------------|--------------------|
| 3.1 Body: | Brass, gold PLated |
| 3.2 Insulator: | Teflon |
| 3.3 Contact Pin: | Bronze Gold plated |

Notes:

- ALL SPECIFICATIONS ARE SUBJECT TO CHANGE NOTICE AT ANY TIME
- CUSTOMER OUTLINE DRAWING FOR REFERENCE ONLY

DRAWN : T. Haiyun 15/09/17	TITLE:	 www.trlrf.com
ENGINEER: C. Tao 15/09/17	RF Coaxial Connector	
APPROVED : W. Qiang 15/09/17	SMA Female Flange Conn. Terminal	
TOLERANCES UNLESS OTHERWISE SPECIFIED		 DIMENSION IN MILLIMETERS (mm)
X	± 0.50	
.X	± 0.20	
.XX	± 0.10	
ANGLES	$\pm 1^{\circ}$	
PART NO: SMA-KFD5C	SIZE: A4	SCALE: N/A
		SHEET: 1/1
		REV: A