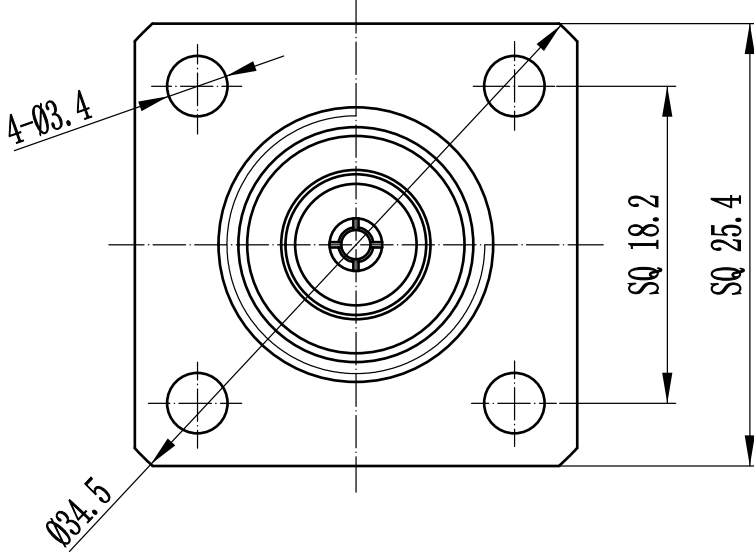
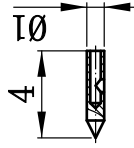
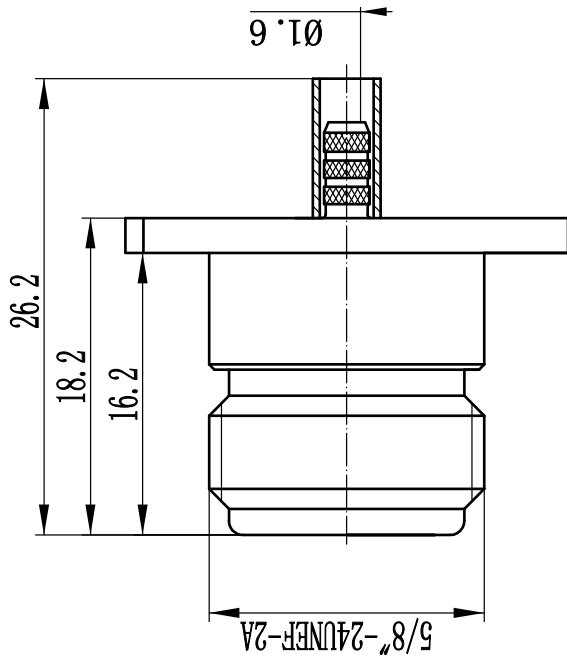


This document contains proprietary information and such information may not be disclosed to others for any purposes, not used for sales/marketing/procurement purposes without written permission



- 1 Electrical
 - 1.1 Impedance 50 Ω
 - 1.2 Frequency 0~6GHz
 - 1.3 Dielectric withstanding voltage 1500V(volts RMS)
 - 1.4 Center contact resistance ≤ 1MΩ
 - 1.5 Outer contact resistance ≤ 0.2MΩ
 - 1.6 Insulation resistance: ≥5000MΩ
 - 1.7 VSWR 1.25:1

- 2 Environmental&Mechanical
 - 2.1 Temperature range -45℃~85℃
 - 2.2 RoHS Compliant
 - 2.3 Durability >500 cycles

- 3 Materials&plating
 - 3.1 Body: Brass, nickel plated
 - 3.2 Insulator: Teflon
 - 3.3 Contact Pin: Bronze, Gold plated

Notes:
 1. ALL SPECIFICATIONS ARE SUBJECT TO CHANGE NOTICE AT ANY TIME
 2. CUSTOMER OUTLINE DRAWING FOR REFERENCE ONLY

| REV | DESCRIPTION OF REVISION | ECN NO. | BY | DATE | APPROVED |
|-----|-------------------------|---------|-----------|----------|----------|
| A | Initial Release | | T. Shihua | 07/04/16 | 07/04/16 |

| | | | |
|---------------------------------------|-------|-------------------------------|------------|
| DRAWN : T. Shihua 07/04/16 | | TITLE: RF Coaxial Connector | |
| ENGINEER: C. Tao 07/04/16 | | N female Flange Conn. For | |
| APPROVED : W. Qiang 07/04/16 | | RG316 Cable | |
| TOLERANCES UNLESS OTHERWISE SPECIFIED | | DIMENSION IN MILLIMETERS (mm) | |
| X | +0.50 | SIZE: A4 | SCALE: N/A |
| .X | +0.20 | SHEET: 1/1 | REV: A |
| .XX | +0.10 | | |
| ANGLES | *° | | |



www.tit-ff.com



DIMENSION IN MILLIMETERS (mm)

SIZE: A4
SCALE: N/A
SHEET: 1/1
REV: A