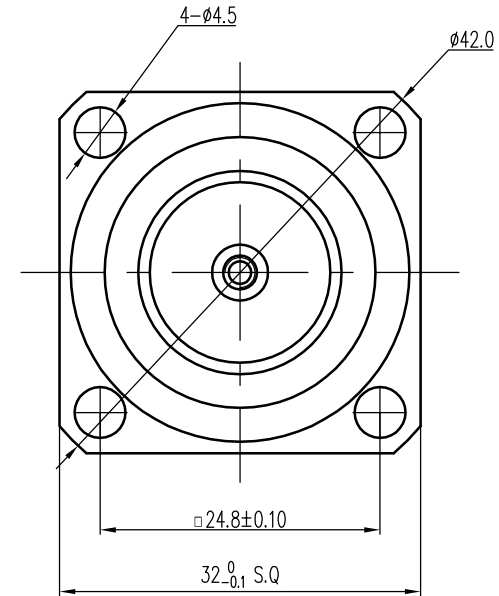
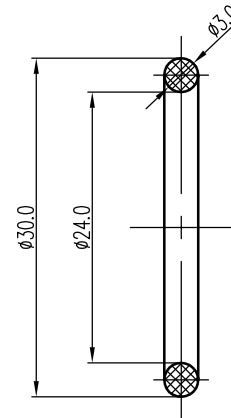
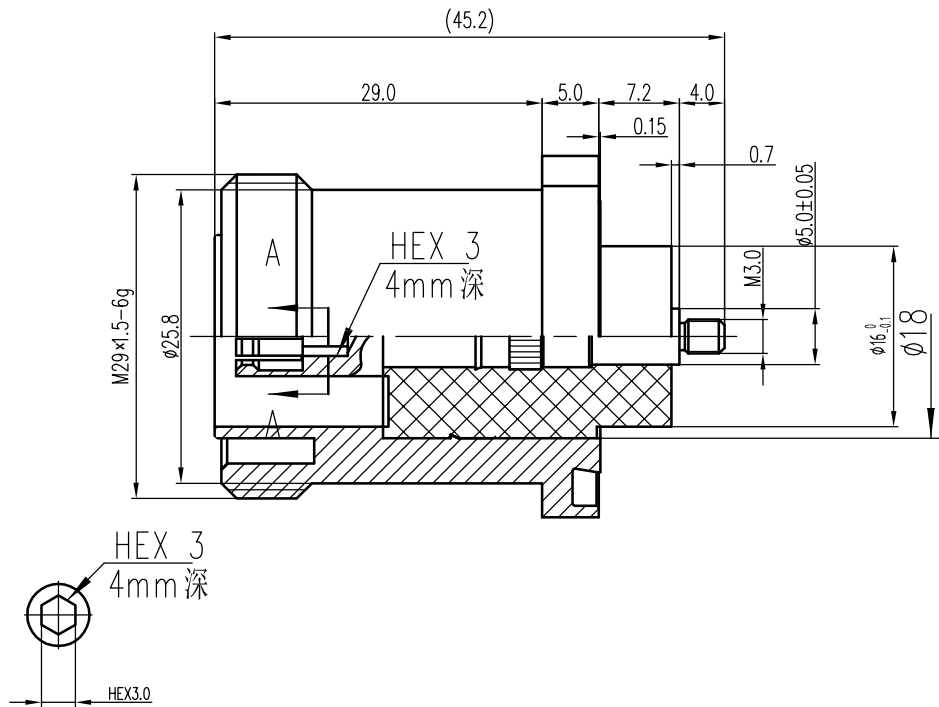


This document contains proprietary information and such information may not be disclosed to others for any purposes, not used for sales/marketing/procurement purposes without written permission

REV	DESCRIPTION OF REVISION	ECN NO.	BY	DATE	APPROVED
A	Initial Release	—	T.Shihua	27/10/15	27/10/15



**1 Technical Data:**

- 1.1 Impedance: 50Ω
- 1.2 Frequency: DC~7.5GHz
- 1.3 VSWR: ≤1.1@3GHz, 1.15@3G-4.5G
- 1.4 Dielectric withstanding voltage: ≥4000V rms
- 1.5 Insulation resistance: ≥10000MΩ
- 1.6 Center contact resistance: ≤0.4 mΩ
- 1.7 Outer contact resistance: ≤1.5mΩ
- 1.8 Teracidic Cross-modulation: ≤ -165dBc

**2 Environmental&Mechanical**



- 2.1 Temperature range: -45℃~85℃
- 2.2 RoHs Compliant
- 2.3 Durability: >500 cycles

**3 Materials&plating**

- 3.1 Body: Brass, Suco-plated
- 3.2 Insulator: Teflon
- 3.3 Contact Pin: Phosphor Bronze, Silver plated

**Notes:**

- 1. ALL SPECIFICATIONS ARE SUBJECT TO CHANGE NOTICE AT ANY TIME
- 2. CUSTOMER OUTLINE DRAWING FOR REFERENCE ONLY

DRAWN: T.Shihua 27/10/15	TITLE:	 <a href="http://www.terullal.com">www.terullal.com</a>
ENGINEER: C.Tao 27/10/15	Din-KFD2	
APPROVED: W.Qiang 27/10/15	Din Type Female Conn. Terminal	
<b>TOLERANCES UNLESS OTHERWISE SPECIFIED</b> X ±0.50 .X ±0.20 .XX ±0.10 ANGLES ±1°		 DIMENSION IN MILLIMETERS (mm)
PART NO: TRL-DinF-282863		SIZE: A4    SCALE: N/A    SHEET: 1/1    REV: A