

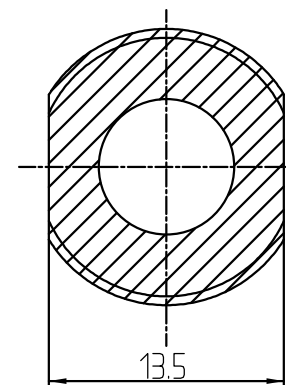
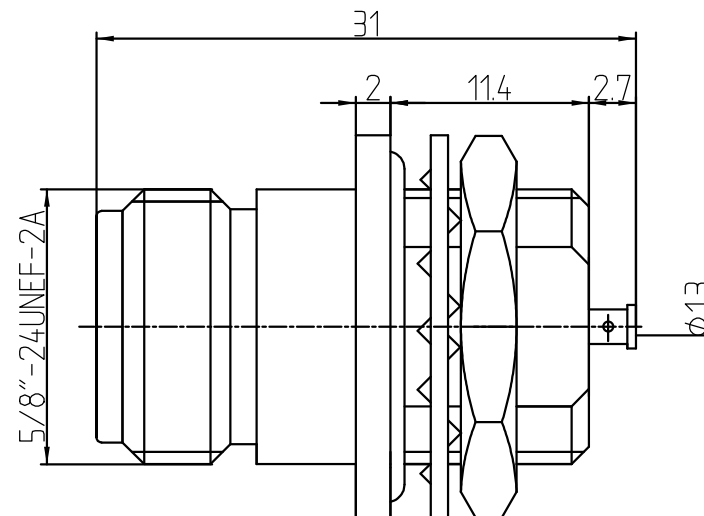
This document contains proprietary information and such information may not be disclosed to others for any purposes, not used for sales/marketing/procurement purposes without written permission

REV	DESCRIPTION OF REVISION	ECN NO.	BY	DATE	APPROVED
A	New Release	—	T. Shihua	26/08/15	26/08/15

- 1 Electrical
- 1.1 Impedance 50 Ω
  - 1.2 Frequency DC-6GHz
  - 1.3 Dielectric withstanding voltage 1500V(volts RMS)
  - 1.4 Center contact resistance  $\leq 1M\Omega$
  - 1.5 Outer contact resistance  $\leq 0.2M\Omega$
  - 1.6 Insulation resistance:  $\geq 5000M\Omega$

- 2 Environmental&Mechanical
- 2.1 Temperature range -45℃~125℃
  - 2.2 RoHs Compliant
  - 2.3 Durability >500 cycles

- 3 Materials&Finish
- 3.1 Body: Brass, Nickel plated
  - 3.2 Insulator: Teflon
  - 3.3 Contact Pin: Brass, gold plated
  - 3.5 Nut: Brass, Nickel plated
  - 3.6 Washer: Phosphor bronze, nickel plated



Notes:

- 1. ALL SPECIFICATIONS ARE SUBJECT TO CHANGE NOTICE AT ANY TIME
- 2. CUSTOMER OUTLINE DRAWING FOR REFERENCE ONLY

DRAWN: T. Shihua 26/08/15
ENGINEER: C. Tao 26/08/15
APPROVED: W. Qiang 26/08/15
TOLERANCES UNLESS OTHERWISE SPECIFIED
X ±0.50
.X ±0.20
.XX ±0.10
ANGLES ±1°

TITLE:  
RF Coaxial Connector  
N female B/H Connector  
For 1.13 Cable



www.terulai.com



DIMENSION IN MILLIMETERS (mm)

PART NO: N-KY1.32A	SIZE: A4	SCALE: N/A	SHEET: 1/1	REV: A
-----------------------	-------------	---------------	---------------	-----------