

This document contains proprietary information and such information may not be disclosed to others for any purposes, not used for sales/marketing/procurement purposes without written permission

REV	DESCRIPTION OF REVISION	ECN NO.	BY	DATE	APPROVED
A	Initial Release		T.Haiyun	23/5/07	23/5/07

1 Electrical

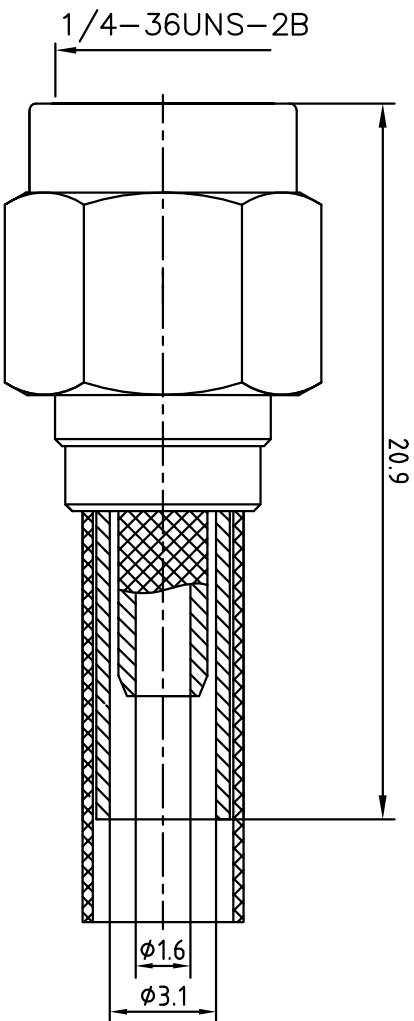
- 1.1 Impedance: 50Ω
- 1.2 Frequency: DC~6GHz
- 1.3 Dielectric withstanding voltage: 1000V(volts RMS)
- 1.4 Center contact resistance: ≤ 3MΩ
- 1.5 Outer contact resistance: ≤ 2MΩ
- 1.6 Insulation resistance: ≥5000MΩ

2 Environmental&Mechanical

- 2.1 Temperature range: -40℃~+70℃
- 2.2 RoHs Compliant
- 2.3 Durability: >500 cycles


3 Materials&plating

- 3.1 Body: Brass; Gold plated
- 3.2 Insulator: Teflon
- 3.3 Contact Pin: Brass, Gold plated
- 3.4 Nut: Brass, Gold plated
- 3.5 Gasket: Silicon Rubber ( red color)
- 3.6 Ferrule: Copper, Nickel plated



Notes:

- 1.ALL SPECIFICATIONS ARE SUBJECT TO CHANGE NOTICE AT ANY TIME
- 2.CUSTOMER OUTLINE DRAWING FOR REFERENCE ONLY

DRAWN: T.Haiyun 23/5/07	TITLE: SMA-13E	 www.terrillat.com
ENGINEER: C.Tao 23/5/07	SMA Male Str. Conn. for RG174/RG316/LMR100 Cable	
APPROVED: W.Qiang 23/5/07	PART NO: TRL-SMAM-490861	SIZE: A4
TOLERANCES UNLESS OTHERWISE SPECIFIED		SCALE: N/A
X ±0.20		SHEET: 1/1
XX ±0.10		REV: A
ANGLES 3°		

DIMENSION IN MILLIMETERS (mm)