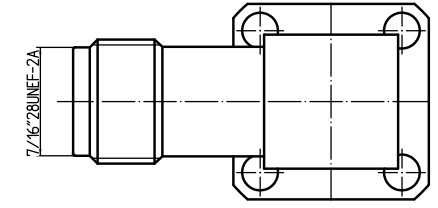
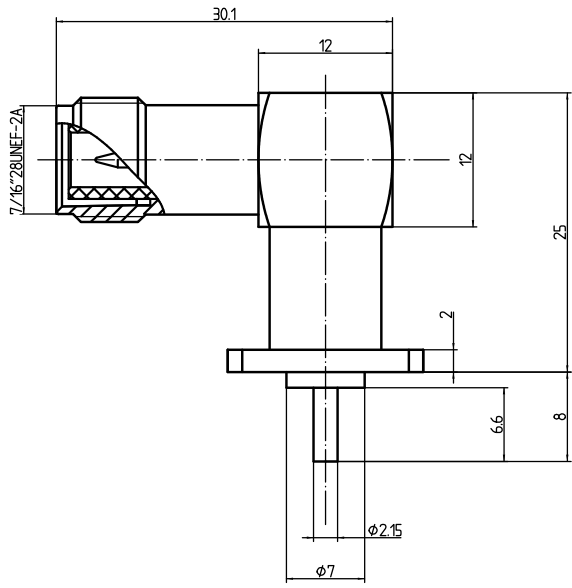
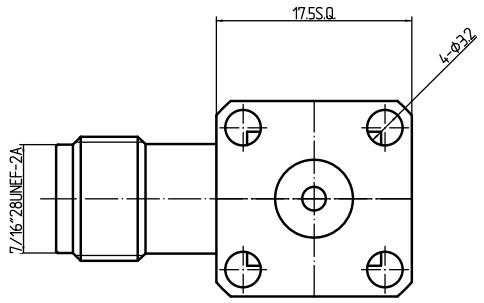

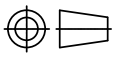


This document contains proprietary information and such information may not be disclosed to others for any purposes,
 not used for sales/marketing/procurement purposes without written permission

REV	DESCRIPTION OF REVISION	ECN NO.	BY	DATE	APPROVED
A	Initial Release	—	T. Shihua	21/11/14	21/11/14



- Notes:
1. ALL SPECIFICATIONS ARE SUBJECT TO CHANGE NOTICE AT ANY TIME
 2. CUSTOMER OUTLINE DRAWING FOR REFERENCE ONLY

DRAWN : T. Shihua 21/11/14 ENGINEER: C. Tao 21/11/14 APPROVED : W. Qiang 21/11/14	TITLE: RF Coaxial Connector RPTNC female R/A Conn. Terminal	 www.trl-rf.com  DIMENSION IN MILLIMETERS (mm)	
TOLERANCES UNLESS OTHERWISE SPECIFIED X ±0.50 .X ±0.20 .XX ±0.10 ANGLES ±1°	PART NO: RPTNC-JWFD1		
SIZE: A4	SCALE: N/A	SHEET: 1/1	REV: A