

This document contains proprietary information and such information may not be disclosed to others for any purposes,  
not used for sales/marketing/procurement purposes without written permission

REV	DESCRIPTION OF REVISION	ECN NO.	BY	DATE	APPROVED
A	Initial Release	—	T. Shihua	16/6/15	16/6/15

1 Electrical

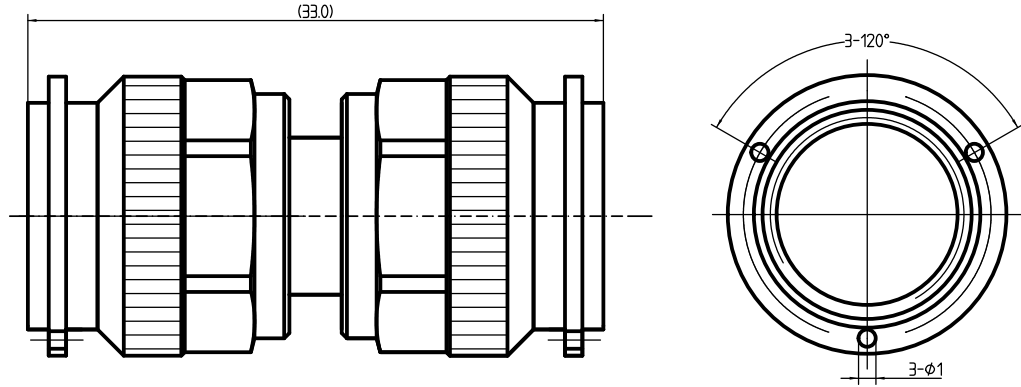
1.1 Impedence	50 $\Omega$
1.2 Frequency	0~6GHz
1.3 Dielectric withstanding voltage	1500V(volts RMS)
1.4 Center contact resistance	$\leq 15M\Omega$
1.5 Outer contact resistance	$\leq 0.2M\Omega$
1.6 Insulation resistance:	$\geq 5000M\Omega$
1.7 VSWR	1.25 : 1

2 Environmental&Mechanical

2.1 Temperature range	-45 $^{\circ}$ C~85 $^{\circ}$ C
2.2 RoHs Compliant	
2.3 Durability	$\geq 500$ cycles


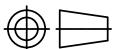
3 Materials&plating

3.1 Body:	Brass, nickel plated
3.2 Insulator:	Teflon
3.3 Contact Pin:	Bronze, Gold plated
3.4 Coupling Nut :	Brass, nickel plated
3.5 Gasket :	Silicon Rubber <Red>



Notes:

1. ALL SPECIFICATIONS ARE SUBJECT TO CHANGE NOTICE AT ANY TIME
2. CUSTOMER OUTLINE DRAWING FOR REFERENCE ONLY

DRAWN : T. Shihua 16/6/15 ENGINEER: C. Tao 16/6/15 APPROVED : W. Qiang 16/6/15	TITLE: RF Adaptor TNC Male to TNC Male adaptor	 <a href="http://www.trf-rf.com">www.trf-rf.com</a>
TOLERANCES UNLESS OTHERWISE SPECIFIED X $\pm 0.50$ .X $\pm 0.20$ .XX $\pm 0.10$ ANGLES $\pm 1^{\circ}$	 DIMENSION IN MILLIMETERS (mm)	
PART NO: J. TNC-JJ	SIZE: A4	SCALE: N/A
	SHEET: 1/1	REV: A