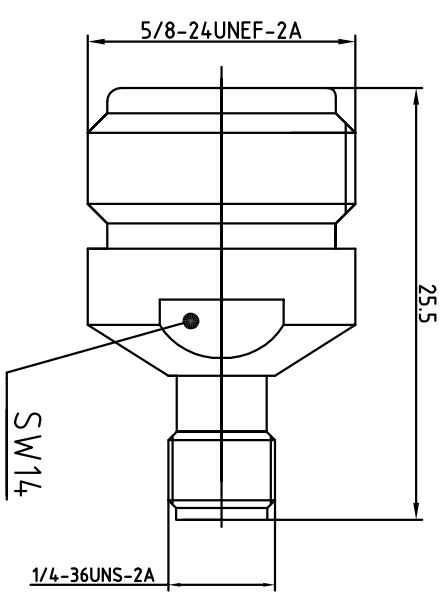


This document contains proprietary information and such information may not be disclosed to others for any purposes, not used for sales/marketing/procurement purposes without written permission

REV	DESCRIPTION OF REVISION	ECN NO.	BY	DATE	APPROVED
A	Initial Release		T.Shihua	18/7/13	18/7/13

- 1 Electrical
  - 1.1 Impedence 50 Ω
  - 1.2 Frequency 0~11GHz
  - 1.3 Dielectric withstanding voltage 1000V(volts RMS)
  - 1.4 Center contact resistance ≤ 3MΩ
  - 1.5 Outer contact resistance ≤ 2MΩ
  - 1.6 Insulation resistance: ≥5000MΩ
- 2 Environmental&Mechanical
  - 2.1 Temperature range -55℃~155℃
  - 2.2 RoHs Compliant
  - 2.3 Durability >500 cycles
- 3 Materials&plating
  - 3.1 Body: Brass, nickel plated
  - 3.2 Insulator: Teflon
  - 3.3 Contact Pin: Beryllium copper, Gold plated
  - 3.4 Coupling nut: Brass, Gold plated
  - 3.5 Spring: Phosphor bronze, nickel plated
  - 3.6 Gasket: Silicon Rubber



Notes:

1. ALL SPECIFICATIONS ARE SUBJECT TO CHANGE NOTICE AT ANY TIME
2. CUSTOMER OUTLINE DRAWING FOR REFERENCE ONLY

DRAWN: T.Shihua 18/07/13	TITLE: N/SMA-KK	Xian Reach-line Technology Co.,LTD
ENGINEER: C.Too 18/07/13		
APPROVED: W.Qiang 18/07/13	N female to SMA female adaptor	DIMENSION IN MILLIMETERS (mm)
TOLERANCES UNLESS OTHERWISE SPECIFIED		
X 0.130		SIZE: A4
X 0.20		SCALE: N/A
XX 0.40		SHEET: 1/1
ANGLES 5°		REV: A
PART NO: TRL-ZLQ-021038		