

This document contains proprietary information and such information may not be disclosed to others for any purposes, not used for sales/marketing/procurement purposes without written permission

REV	DESCRIPTION OF REVISION	ECN NO.	BY	DATE	APPROVED
A	Initial Release	—	T.Shihua	1/11/14	1/11/14

1 Electrical

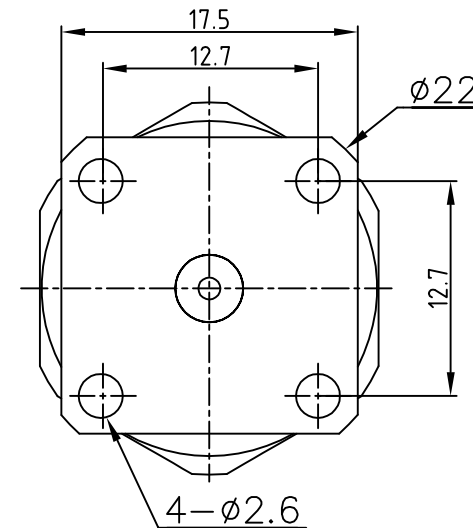
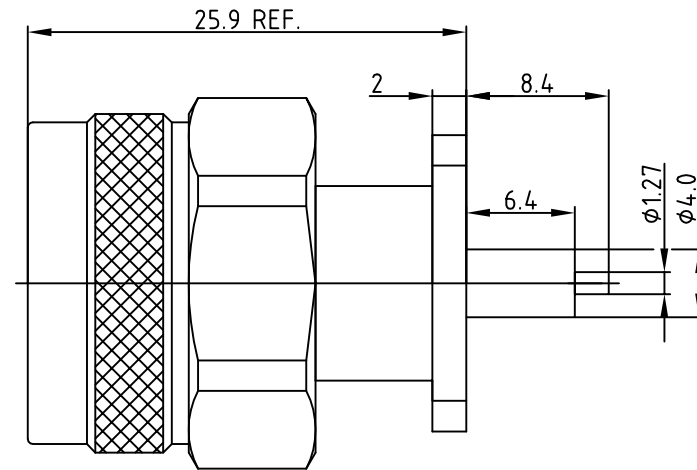
1.1 Impedence	50Ω
1.2 Frequency	DC-6GHz
1.3 Dielectric withstanding voltage	1500V(volts RMS)
1.4 Center contact resistance	≤ 6MΩ
1.5 Outer contact resistance	≤ 2MΩ
1.6 Insulation resistance:	≥ 5000MΩ
1.7 VSWR	1.15:1
1.8 Insertion Loss	0.05dBXSq.Rt(FGHz)

2 Environmental&Mechanical

2.1 Temperature range	-55℃~155℃
2.2 RoHs Status	Compliant
2.3 Durability	>500 cycles



3 Materials&Finish

3.1 Body:	Brass, Tri-Metal plated
3.2 Insulator:	Teflon
3.3 Contact Pin:	Brass, silver plated
3.4 Coupling Nut:	Brass, Tri-Metal plated
3.5 Gasket:	Silicon rubber (red color)
3.6 C-ring:	Phosphor bronze, Natural



Notes:

- 1.ALL SPECIFICATIONS ARE SUBJECT TO CHANGE NOTICE AT ANY TIME
- 2.CUSTOMER OUTLINE DRAWING FOR REFERENCE ONLY

DRAWN: T.Shihua 1/11/14	TITLE: N-JFD5	 www.t-rely.com.cn			
ENGINEER: C.Tao 1/11/14	N Male Straight Flange Conn. For Terminal				
APPROVED: W.Qiang 1/11/14		 DIMENSION IN MILLIMETERS (mm)			
TOLERANCES UNLESS OTHERWISE SPECIFIED	PART NO: TRL-NM-2638123			SIZE: A4	SCALE: N/A
X ±0.50					
.X ±0.20					
.XX ±0.10					
ANGLES ±1°					