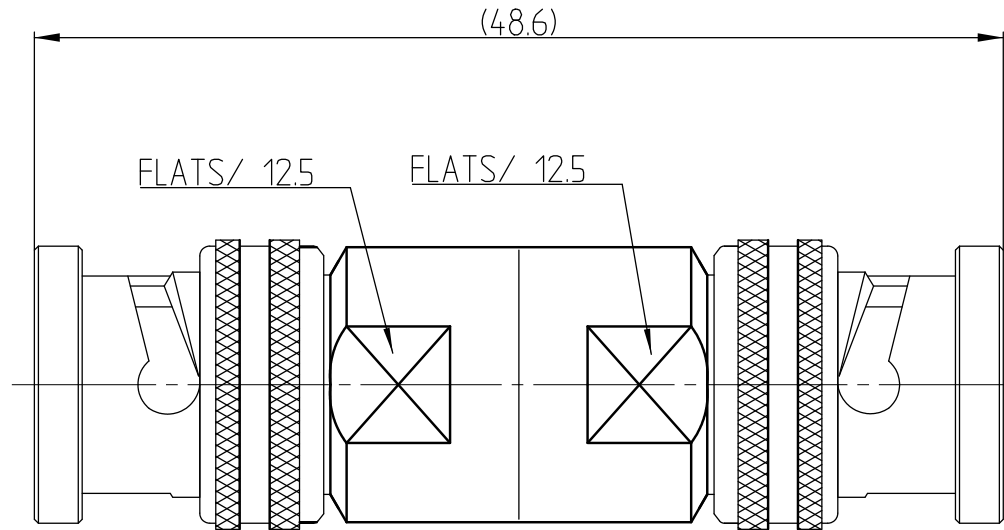
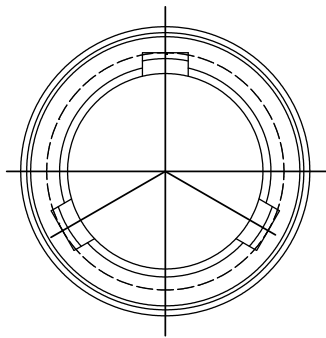


This document contains proprietary information and such information may not be disclosed to others for any purposes,
not used for sales/marketing/procurement purposes without written permission

REV	DESCRIPTION OF REVISION	ECN NO.	BY	DATE	APPROVED
A	Initial Release	—	T.Haiyun	26/07/17	26/07/17





3 Materials&plating

- 3.1 Body: Brass; Suco-plated
- 3.2 Insulator: Teflon
- 3.3 Contact Pin: Bronze Gold plated
- 3.4 Outer contact : Brass Gold plated

Notes:

- 1.ALL SPECIFICATIONS ARE SUBJECT TO CHANGE NOTICE AT ANY TIME
- 2.CUSTOMER OUTLINE DRAWING FOR REFERENCE ONLY

DRAWN : T.Haiyun 26/07/17	TITLE : RF Adaptor TRB Male to Male Adaptor	 www.trl-rf.com				
ENGINEER : C.Tao 26/07/17						
APPROVED : W.Qiang 26/07/17		 DIMENSION IN MILLIMETERS (mm)				
TOLERANCES UNLESS OTHERWISE SPECIFIED		PART NO: TRB-JJ	SIZE: A4	SCALE: N/A	SHEET: 1/1	REV: A
X	±0.50					
.X	±0.20					
.XX	±0.10					
ANGLES	±1°					