

This document contains proprietary information and such information may not be disclosed to others for any purposes, not used for sales/marketing/procurement purposes without written permission

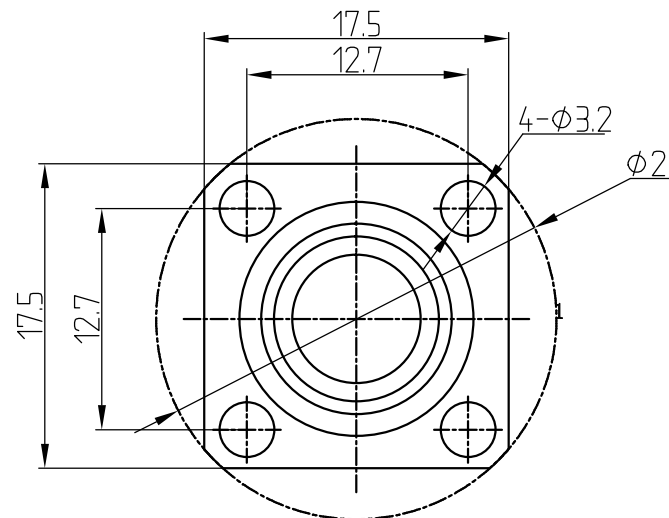
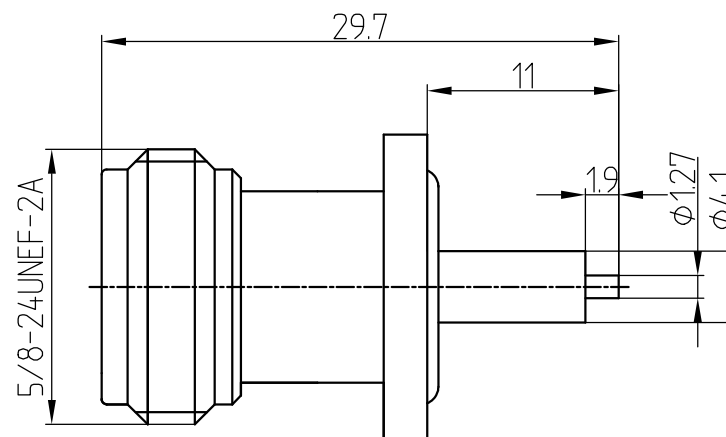
| REV | DESCRIPTION OF REVISION | ECN NO. | BY | DATE | APPROVED |
|-----|-------------------------|---------|-----------|---------|----------|
| A | Initial Release | — | T. Shihua | 18/7/13 | 18/7/13 |

- 1 Electrical
- 1.1 Impedance 50 Ω
 - 1.2 Frequency 0~11GHz
 - 1.3 Dielectric withstanding voltage 2500V(volts RMS)

- 2 Environmental&Mechanical
- 2.1 Temperature range -45℃~125℃
 - 2.2 RoHs Compliant
 - 2.3 Durability >500 cycles



- 3 Materials&Finish
- 3.1 Body: Brass, nickel plated
 - 3.2 Insulator: Teflon
 - 3.3 Contact Pin: Bronze, Gold plated
 - 3.4 Gasket: Silicon Rubber(red color)

- 4 Interface Standards
- 4.1 N MIL-STD-348A



Notes:

- 1. ALL SPECIFICATIONS ARE SUBJECT TO CHANGE NOTICE AT ANY TIME
- 2. CUSTOMER OUTLINE DRAWING FOR REFERENCE ONLY

| | | | |
|--|---|--|--------|
| DRAWN: T. Shihua 18/07/13 ENGINEER: C. Tao 18/07/13 APPROVED: W. Qiang 18/07/13 TOLERANCES UNLESS OTHERWISE SPECIFIED X ±0.50 .X ±0.20 .XX ±0.10 ANGLES ±1° | TITLE: N-KFD92 N female Flange Conn. Terminal PART NO: TRL-NF-288903 |  www.teruilai.com  DIMENSION IN MILLIMETERS (mm) | |
| SIZE: A4 | SCALE: N/A | SHEET: 1/1 | REV: A |