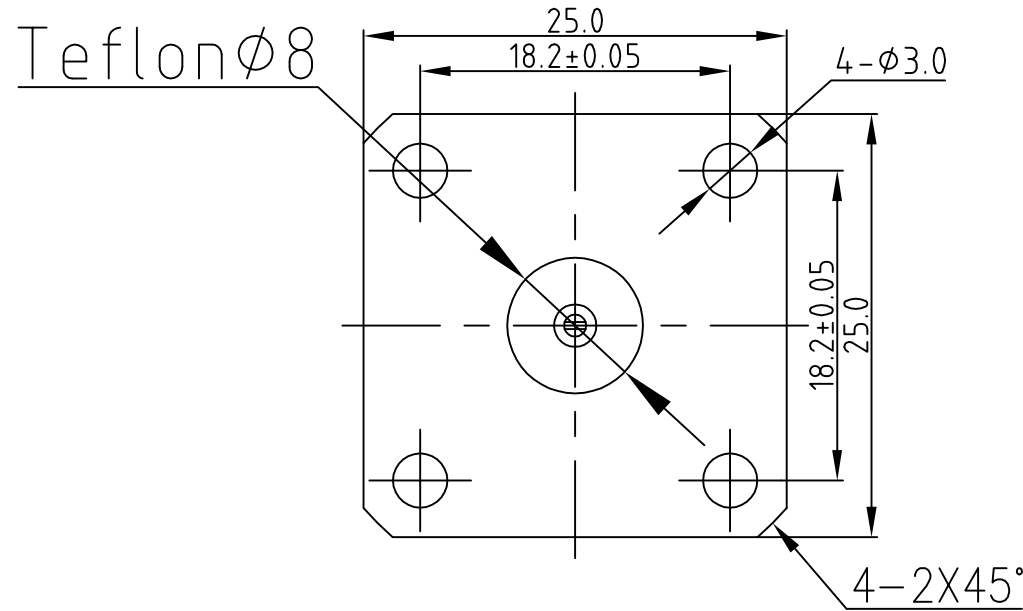
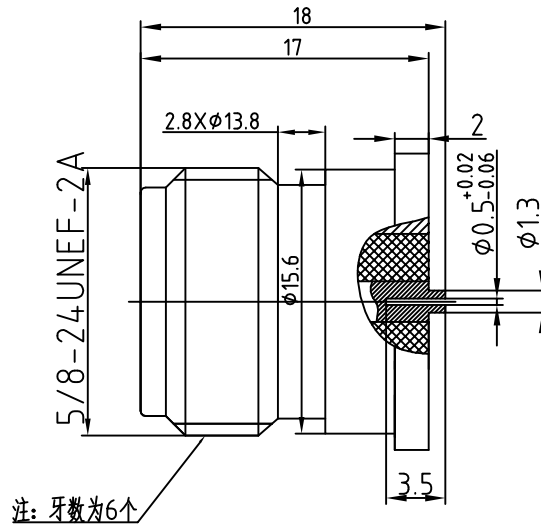


This document contains proprietary information and such information may not be disclosed to others for any purposes, not used for sales/marketing/procurement purposes without written permission

REV	DESCRIPTION OF REVISION	ECN NO.	BY	DATE	APPROVED
A	Initial Release	—	T.Shihua	25/05/16	25/05/16



1 Electrical



- 1.1 Impedance: 50Ω
- 1.2 Frequency: 0-6GHz
- 1.3 Insulation resistance: ≥5000MΩ
- 1.4 Dielectric strength: 1500V
- 1.5 Center Contact resistance ≤ 1MΩ
- 1.6 Outer contact resistance ≤ 0.2MΩ
- 1.7 VSWR: 1.2 max

2 Materials & Finish

- 2.1 Inner Contact: Phosphor bronze, gold plated
- 2.2 Outer Contact: Brass, Suco-plated
- 2.3 Insulators: PTFE

Notes:

- 1. ALL SPECIFICATIONS ARE SUBJECT TO CHANGE NOTICE AT ANY TIME
- 2. CUSTOMER OUTLINE DRAWING FOR REFERENCE ONLY

DRAWN: T.Shihua 25/05/16	TITLE: N-KFD113		www.terullal.com		
ENGINEER: C.Tao 25/05/16	N Female Straight Flange Connector Terminal				
APPROVED: W.Qiang 25/05/16			DIMENSION IN MILLIMETERS (mm)		
TOLERANCES UNLESS OTHERWISE SPECIFIED	PART NO: TRL-NF-263890	SIZE: A4	SCALE: N/A	SHEET: 1/1	REV: A
X ±0.50					
.X ±0.20					
.XX ±0.10					
ANGLES ±1°					