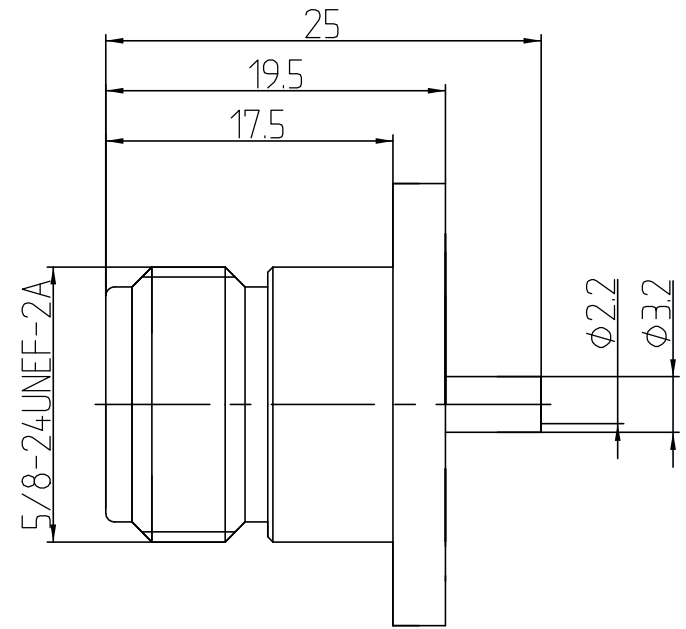
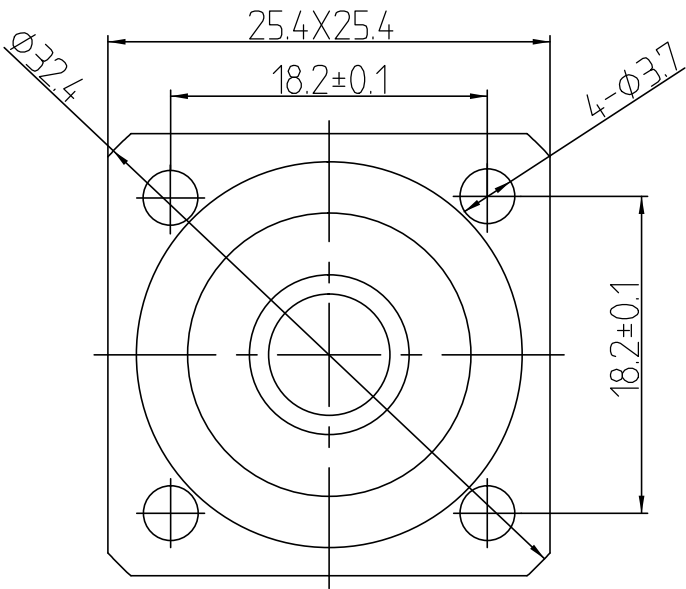



This document contains proprietary information and such information may not be disclosed to others for any purposes, not used for sales/marketing/procurement purposes without written permission

REV	DESCRIPTION OF REVISION	ECN NO.	BY	DATE	APPROVED
A	Initial Release	—	T. Shihua	25/06/19	25/06/19



- 1 Electrical
 - 1.1 Impedance 50 Ω
 - 1.2 Frequency DC ~6GHz
 - 1.3 Dielectric withstanding voltage 1500V(volts RMS)
 - 1.4 Center contact resistance ≤ 1M Ω
 - 1.5 Outer contact resistance ≤ 0.2M Ω
 - 1.6 Insulation resistance: ≥ 5000M Ω
 - 1.7 VSWR 1.3:1
- 2 Environmental & Mechanical
 - 2.1 Temperature range -45℃ ~ 125℃
 - 2.2 RoHS Compliant
 - 2.3 Durability >500 cycles
- 3 Materials & plating
 - 3.1 Body: Brass, nickel plated
 - 3.2 Insulator: Teflon
 - 3.3 Contact Pin: Bronze, Gold plated

Notes:
 1. ALL SPECIFICATIONS ARE SUBJECT TO CHANGE NOTICE AT ANY TIME
 2. CUSTOMER OUTLINE DRAWING FOR REFERENCE ONLY

DRAWN: T. Shihua 25/06/19 ENGINEER: C. Tao 25/06/19 APPROVED: W. Qiang 25/06/19	TITLE: RF Coaxial Connector N female Flange Conn. For .086 Cable	 www.tri-rf.com
TOLERANCES UNLESS OTHERWISE SPECIFIED X ±0.50 X ±0.20 XX ±0.10 ANGLES ±1°	SIZE: A4 SCALE: N/A SHEET: 1/1 REV: A	