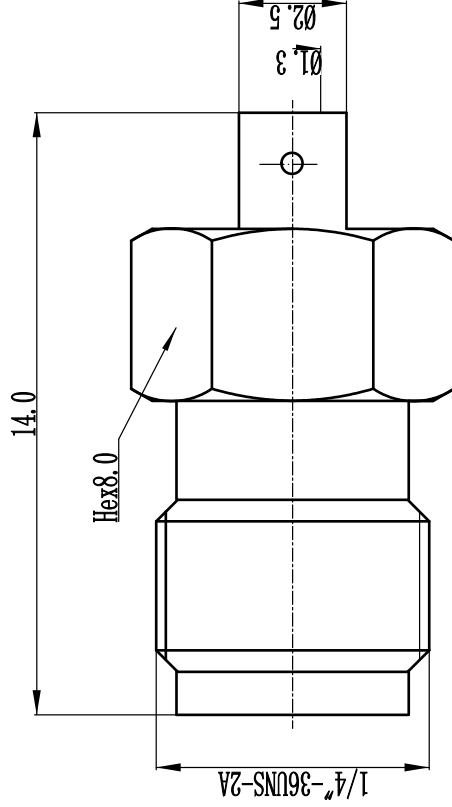


This document contains proprietary information and such information may not be disclosed to others for any purposes, not used for sales/marketing/procurement purposes without written permission

- 1 Electrical
- 1.1 Impedence 50 Ω
- 1.2 Frequency DC ~6GHz
- 1.3 Dielectric withstanding voltage 1000V (volts RMS)
- 1.4 Center contact resistance  $\leq 3M\Omega$
- 1.5 Outer contact resistance  $\leq 2M\Omega$
- 1.6 Insulation resistance:  $\geq 5000M\Omega$

- 2 Environmental & Mechanical
- 2.1 Temperature range -40°C ~ +85°C
- 2.2 RoHS Compliant Yes
- 2.3 Durability >500 cycles

- 3 Materials & Plating
- 3.1 Body: Brass, Gold-Plated
- 3.2 Insulator: Teflon, Beryllium-copper, Gold plated
- 3.3 Contact Pin: Beryllium-copper, Gold plated



REV	DESCRIPTION OF REVISION	ECN NO.	BY	DATE	APPROVED
A	Initial Release		T. Haiyuu	08/08/17	08/08/17

Notes:

- 1. ALL SPECIFICATIONS ARE SUBJECT TO CHANGE NOTICE AT ANY TIME
- 2. CUSTOMER OUTLINE DRAWING FOR REFERENCE ONLY

DRAWN : T. Haiyuu 08/08/17	TITLE: RF Coaxial Connector
ENGINEER: C. Tao 08/08/17	SMA Female Conn. for .047 Cable
APPROVED : W. Qiang 08/08/17	PART NO: SMA-KB1
TOLERANCES UNLESS OTHERWISE SPECIFIED	SCALE: N/A
X ±0.50	SIZE: A4
.X ±0.20	SHEET: 1/1
.XX ±0.10	REV: A
ANGLES *°	

		www.qrl-rf.com	
		DIMENSION IN MILLIMETERS (mm)	