

This document contains proprietary information and such information may not be disclosed to others for any purposes, not used for sales/marketing/procurement purposes without written permission

REV	DESCRIPTION OF REVISION	ECN NO.	BY	DATE	APPROVED
A	Initial Release		T.Shihua	1/8/14	1/8/14

1 Electrical

- 1.1 Impedance: 50Ω
- 1.2 Frequency: DC-27GHz
- 1.3 VSWR: 1.25:1

2 Mechanical&Environmental

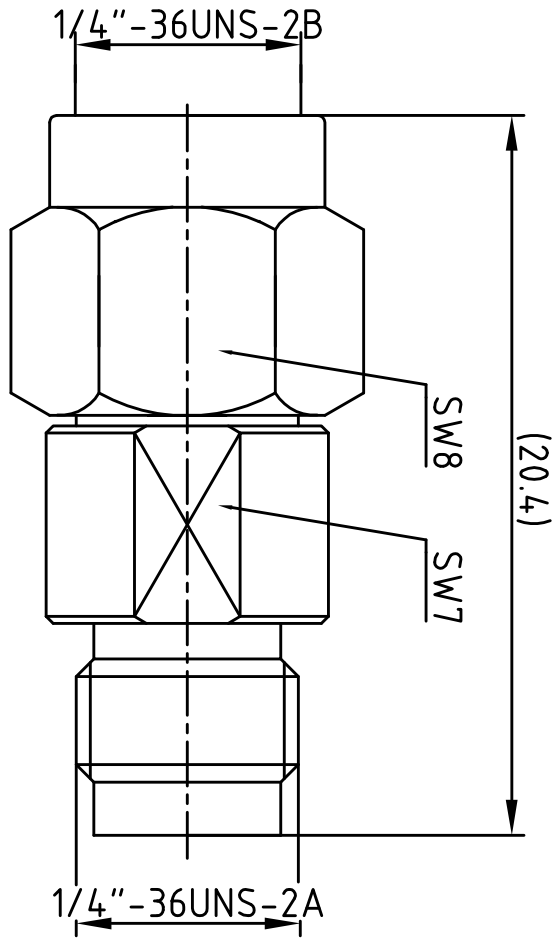
- 2.1 Temperature range -55°C ~+165°C
- 2.2 Durability(matings) >500
- 2.3 RoHs Compliant Yes

3 Material&Finish

- 3.1 Pin contact: Beryllium-Copper, gold plated
- 3.2 Body: Stainless Steel(SUS303), Passivated
- 3.3 Insulators: PEI


4 Interface Standards

- 4.1 SMA MIL-STD-348A



Notes:

- 1. ALL SPECIFICATIONS ARE SUBJECT TO CHANGE NOTICE AT ANY TIME
- 2. CUSTOMER OUTLINE DRAWING FOR REFERENCE ONLY

DRAWN: T.Shihua 1/8/14	TITLE: Precision Adapter SMA Male to SMA Female	 www.ferullal.com
ENGINEER: C.Too 1/8/14	APPROVED: W.Qiang 1/8/14	
TOLERANCES UNLESS OTHERWISE SPECIFIED X .010 .XX .0020 ANGLES 3°		DIMENSION IN MILLIMETERS (mm) SCALE: N/A SHEET: 1/1 REV: A
PART NO: SMA-JKG		SIZE: A4